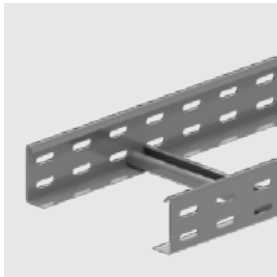


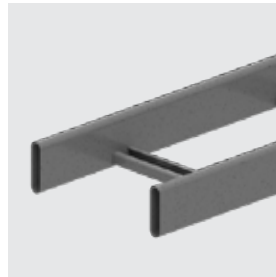
4 Cable ladders



KL



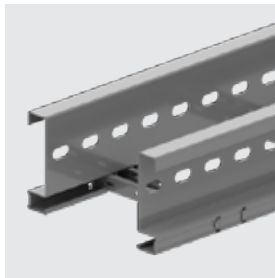
KLLI / KLL



HDKS



HDKLIE



KLM / KLZ / KLW



**KL**▶ **KL**

KL60	Cable ladder	112
------	--------------	-----

▶ **SKL**

SKL60	Rising cable ladder	113
-------	---------------------	-----

▶ **COVER**

D	Universal cover	113
---	-----------------	-----

▶ **COVER CLAMPS**

DCL	Cover clamp clips	114
-----	-------------------	-----

▶ **ACCESSORIES**

KLB	Horizontal bend for KL	114
-----	------------------------	-----

HDDIB	Cover for horizontal bend 90°	114
-------	-------------------------------	-----

KLT	T-Piece for KL	115
-----	----------------	-----

KLX	Cross-over for KL	115
-----	-------------------	-----

KLVB	Flexible (rising / low) bend for KL	116
------	-------------------------------------	-----

HDAB35.110	Stand-off bracket	116
------------	-------------------	-----

BK	Fixing clamp	116
----	--------------	-----

SLOS	Bolt in partition	117
------	-------------------	-----

▶ **JOINERS**

V60.200	Joiner	117
---------	--------	-----

DS	Hinged joiner	117
----	---------------	-----

	TECHNICAL INFORMATION	119
--	-----------------------	-----

**KLL**▶ **KLL**

KLLI60	Cable ladder interlocking ends	123
--------	--------------------------------	-----

KLLI60.6	Cable ladder interlocking ends	124
----------	--------------------------------	-----

KLL85	Cable ladder	125
-------	--------------	-----

KLL110	Cable ladder	126
--------	--------------	-----

KLL110.6	Cable ladder	127
----------	--------------	-----

▶ **COVER**

D	Universal cover	128
---	-----------------	-----

▶ **COVER CLAMPS**

KLLDK	Cover clamp for KLL	128
-------	---------------------	-----

KLLABD	Distance bracket for cover KLL	128
--------	--------------------------------	-----

▶ **ACCESSORIES**

KLLB	Horizontal bend for KLL	129
------	-------------------------	-----

HDDIB	Industrial cover for bend	129
-------	---------------------------	-----

KLLT	T-piece for KLL	130
------	-----------------	-----

HDDIT	Cover for T-piece	130
-------	-------------------	-----

KLLX	Cross-over for KLL	131
------	--------------------	-----

KLLVB	External riser for KLL	132
-------	------------------------	-----

KLLSB	Internal riser for KLL	132
-------	------------------------	-----

KLLVSB	Flexible (rising / low) bend for KLL	133
--------	--------------------------------------	-----

KLLBK	Bracket clamp for KLL	133
-------	-----------------------	-----

KLLAHV	Vertical branch hook for KLL	134
--------	------------------------------	-----

KLLAH	Horizontal branch hook for KLL	134
-------	--------------------------------	-----

KLLDSH	Horizontal hinged joiner for KLL	134
--------	----------------------------------	-----

KLLDSV	Vertical hinged joiner for KLL	135
--------	--------------------------------	-----

KLLVS	Reducing plate for KLL	135
-------	------------------------	-----

KLLVST	Floor Support for KLL	135
--------	-----------------------	-----

HDAB35.110	Stand-off bracket for KL/SKL	136
------------	------------------------------	-----

DOPKLL	End cap for KLL	136
--------	-----------------	-----

DOPKLL60.M	End cap for KLLI60 narrowed end	136
------------	---------------------------------	-----

KLLKP	Joiner for KLL	137
-------	----------------	-----

SLOS	Bolt-in partition	137
------	-------------------	-----

	TECHNICAL INFORMATION	139
--	-----------------------	-----

**HDKS**▶ **HDKS**

HDKS60	Cable ladder DAVID	145
--------	--------------------	-----

▶ **HDKSR**

HDKSR60	Cable ladder DAVID tubular rungs	146
---------	----------------------------------	-----

▶ **COVER**

HDDI	Industrial cover	146
------	------------------	-----

### ▶ COVER CLAMPS

DAVIDKV	Cover clamp for HDKS	147
---------	----------------------	-----

### ▶ ACCESSORIES

HDKS90	Horizontal bend for HDKS	147
HDDIB	Industrial cover for bend	147
HDKST	T-piece for HDKS	148
HDDIT	Cover for T-piece	148
HDKSX	Cross-over for HDKS	148
HDKSVSB	Flexible (rising / low) bend for HDKS	149
HDNL	Hinged joiner for HDKS	149
HDDSKSH	Horizontal hinged joiner for HDKS	149
HDVK2	Wall distance bracket for HDKS	150
HDKK	Bracket clamp for HDKS	150
DOPKS	End cap for HDKS(R) and I6KSF	150
SLOS	Bolt in partition	151

### ▶ JOINERS

HDSSU	Joiner for HDKS	151
	TECHNICAL INFORMATION	153

## HDKLIE

### ▶ HDKLIE

HDKLIE	Industrial cable ladder	158
--------	-------------------------	-----

### ▶ COVER

HDDI	Industrial cover	158
------	------------------	-----

### ▶ COVER CLAMPS

DKI	Cover clamp for HDKLIE	159
-----	------------------------	-----

### ▶ ACCESSORIES

HDKLIB	Horizontal bend for HDKLIE	159
HDDIB	Industrial cover for horizontal bend 90°	159
HDKLIT	T-piece for HDKLIE	160
HDDIT	Industrial cover for T-piece	160
HDKLIX	Cross-over for HDKLIE	161
HDKLIVSB	Flexible (rising/low) bend for HDKLIE	161
BP	Floor plate	161
HDABIE	Wall support for HDKLIE	162
HDLVIRR	Reducing plate right for HDKLIE	162
HDLVIRL	Reducing plate left for HDKLIE	162
HDAHIE	Branch off bracket for HDKLIE	163
HDDSIIV	Vertical hinged joiner for HDKLIE	163
HDDSIH	Horizontal hinged joiner for HDKLIE	163
HDSVIE	Floor support for HDKLIE	164
HDBKIE25	Bracket clamp for HDKLIE	164
HDBKIE40	Bracket clamp for HDKLIE	164
HDBKID25	Bracket clamp SLOS for HDKLIE	165
DOPKLIE	End cap for HDKLIE	165
SLOS	Bolt-in partition	165

### ▶ JOINERS

HDLVIE	Joiner for HDKLIE	166
	TECHNICAL INFORMATION	166

## KLM

### ▶ KLM

KLM	Cable ladder height 125	172
-----	-------------------------	-----

### ▶ COVER

HDDIG	Industrial cover	173
-------	------------------	-----

### ▶ COVER CLAMPS

HDDKIG	Cover clamp	173
KLMZWABD	Stand-off bracket for cover KLM/KLZ/KLW	173

### ▶ ACCESSORIES

KLMB	Horizontal bend for KLM	174
KLMT	T-piece for KLM	174
KLMX	Cross-over for KLM	175
KLMVB	External riser for KLM	175
KLMVB	Internal riser for KLM	176
KLMVSB	Flexible (rising / low) bend for KLM	176
KLMAH	Horizontal branch hook for KLM	177

KLMAHV	Vertikal branch hook for KLM	177
KLMDSH	Horizontal hinged joiner for KLM	177
KLMDSV	Vertical hinged joiner for KLM	178
KLMVST	Floor Support for KLM	178
KLMVS	Reducing plate for KLM	178
KLMZWAB	Stand-off bracket for KLM/KLZ/KLW	179
KLMZWBK	Bracket clamp	179
DOPKLM	End cap for KLM	179
KLMKP	Joiner for KLM	180
BP	Floor plate	180
SLOS	Partition	180
	TECHNICAL INFORMATION	181

**KLZ**

▶ <b>KLZ</b>		
KLZ	Cable ladder height 150	187
▶ <b>COVER</b>		
HDDIG	Industrial cover	188
▶ <b>COVER CLAMPS</b>		
HDDKIG	Cover clamp	188
KLMZWABD	Stand-off bracket for cover KLM/KLZ/KLW	188
▶ <b>ACCESSORIES</b>		
KLZB	Horizontal bend for KLZ	189
KLZT	T-piece for KLZ	189
KLZX	Cross-over for KLZ	190
KLZVB	External riser for KLZ	190
KLZSB	Internal riser for KLZ	191
KLZVSB	Flexible (rising / low) bend for KLZ	191
KLZAH	Horizontal branch hook KLZ	192
KLZAHV	Vertikal branch hook for KLZ	192
KLZDSH	Horizontal hinged joiner for KLZ	192
KLZDSV	Vertical hinged joiner for KLZ	193
KLZVST	Floor Support for KLZ	193
KLZVS	Reducing plate for KLZ	193
KLMZWAB	Stand-off bracket	194
KLMZWBK	Bracket clamp	194
DOPKLZ	End cap for KLZ	194
KLZKP	Joiner for KLZ	195
BP	Floor plate	195
SLOS	Partition	195
	TECHNICAL INFORMATION	197

**KLW**

▶ <b>KLW</b>		
KLW	Cable ladder height 200	203
▶ <b>COVER</b>		
HDDIG	Industrial cover	204
▶ <b>COVER CLAMPS</b>		
HDDKIG	Cover clamp	204
KLMZWABD	Distance bracket for cover	204
▶ <b>ACCESSORIES</b>		
KLWB	Horizontal bend for KLW	205
KLWT	T-piece for KLW	205
KLWX	Cross-over for KLW	206
KLWVB	External riser for KLW	206
KLWSB	Internal riser for KLW	207
KLWVSB	Flexible (rising / low) bend for KLW	207
KLWAH	Horizontal branch hook for KLW	208
KLWAHV	Vertikal branch hook for KLW	208
KLWDSH	Horizontal hinged joiner for KLW	208
KLWDSV	Vertical hinged joiner for KLW	209
KLWVST	Floor Support for KLW	209
KLWVS	Reducing plate for KLW	209
KLMZWAB	Stand-off bracket	210
KLMZWBK	Bracket clamp	210
DOPKLW	End cap for KLW	210

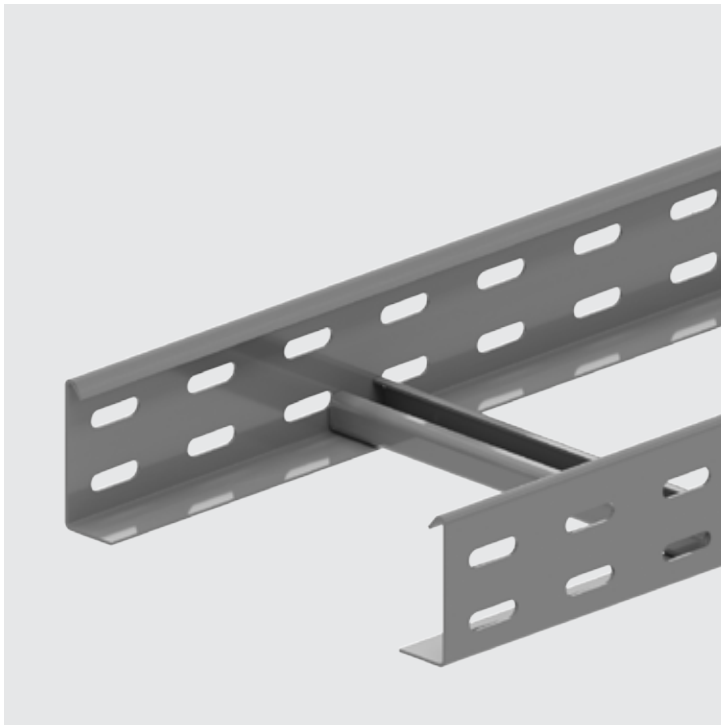
KLWKP	Joiner for KLW	211
BP	Floor plate	211
SLOS	Partition	211
	TECHNICAL INFORMATION	213

**CABLE CLAMPS****▶ CABLE CLAMPS**

HDH1	Cable clamp	218
HDRU1	Cable clamp	218
HDH2	Cable clamp	219
HDRU2	Cable clamp	219

4

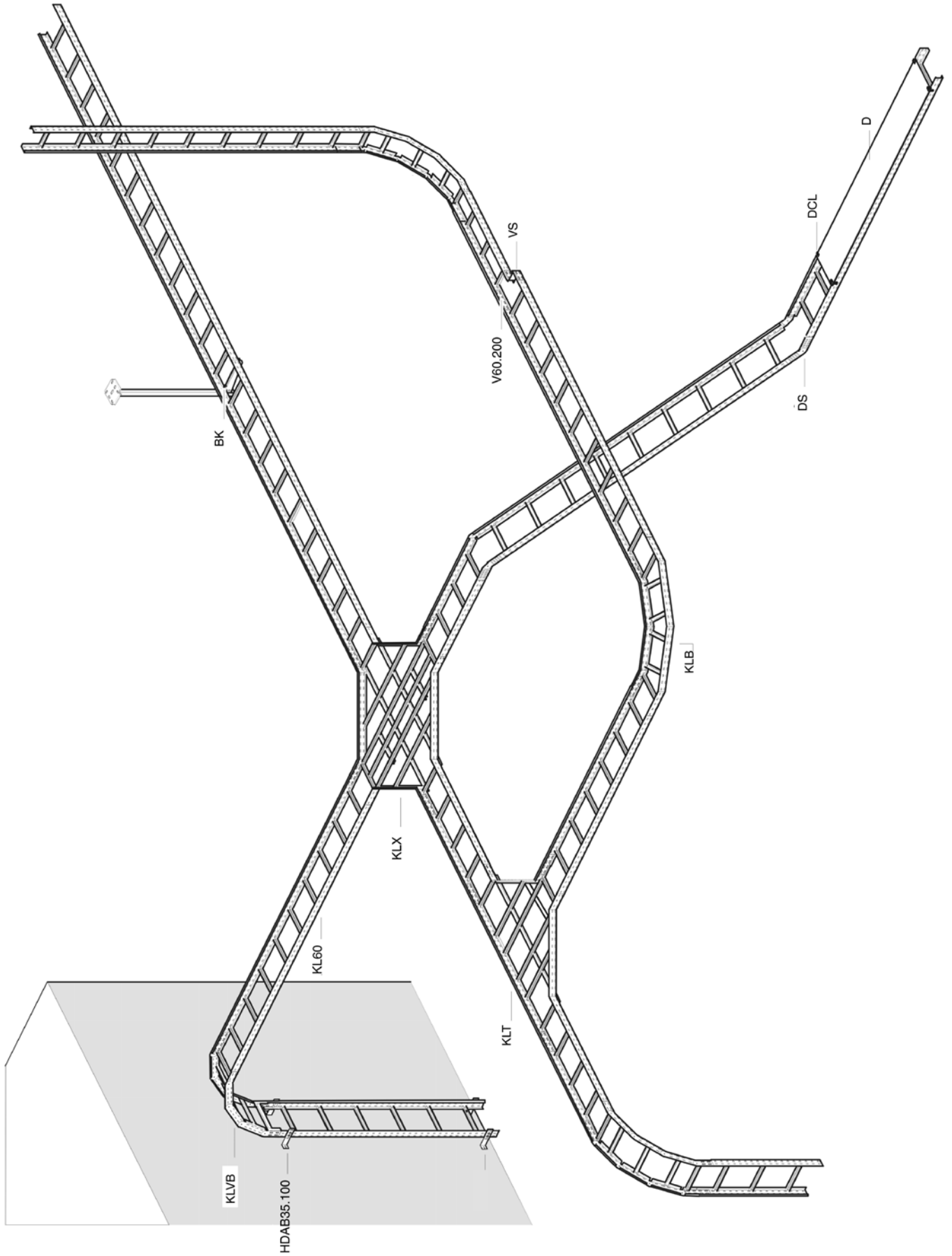
Cable ladders



KL

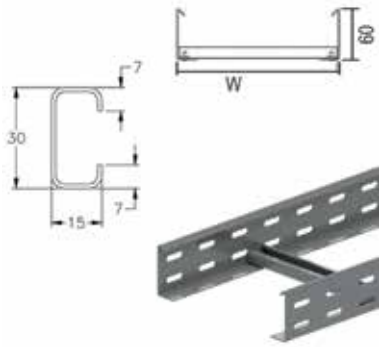






# KL60

## Cable ladder



Side walls: perforated L-profile  
C-rungs

Usable inner height	45 mm
Rung distance	300 mm
Standard finish	Pre-galvanised
Optional finish HD	Hot-dip galvanised
Optional finish PE	Coating

HD	Reference	↓ mm	↔ mm	→ ← mm	↔ mm	kg/m	⊞	Stock	Unit
HD	<b>KL60.200</b>	60	200		3000	2.370	24	X	m
HD	<b>KL60.300</b>	60	300		3000	2.570	24	X	m
HD	<b>KL60.400</b>	60	400		3000	2.770	24	X	m
HD	<b>KL60.500</b>	60	500		3000	2.970	24	X	m
HD	<b>KL60.600</b>	60	600		3000	3.200	24	X	m

Fix with:

HD	<b>V60.200</b>	50	200	-	-	0.080	20	X	piece
HD	<b>VM6.10</b>	-	-	M6	10	0.008	100	X	piece

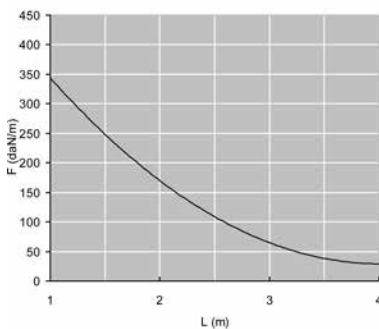
### LOAD DIAGRAM

This diagram illustrates the permissible uniformly distributed horizontal loads applied to multiple supports. They comply with IEC 61537 par 10.3.3 test type III with connection to 1/5 of the span.

F = max. admissible load (daN/m)

L = support distance (m)

Max. deflection (m) = L/100



### CHARACTERISTICS

- lightweight
- strong
- partition (SLOS35) can be fixed to the cable ladder by means of a sliding nut GM6 and pan head bolt (RB6.10)
- all accessories for cable tray height 60 mm can also be mounted on this KL cable ladder
- no further coupling holes are required if the cable ladder is cut.

### TECHNICAL INFORMATION

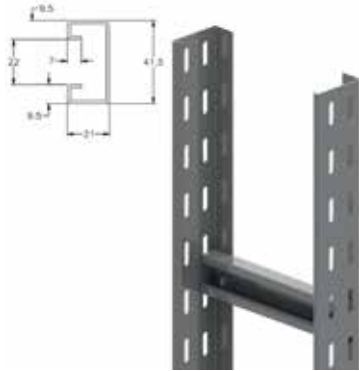
Side walls are constructed from L profile with a return flange and are continuously perforated.

C-profile rungs are fixed at 300 mm intervals.

Rungs are attached to the side walls of the cable ladder by means of cold fusion. The rung openings are directed upwards.

# SKL60

## Rising cable ladder



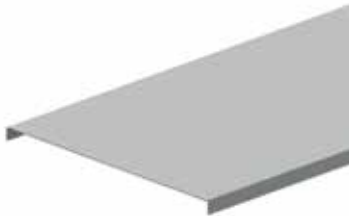
Side walls: perforated L-profile  
C-rungs 41x21 mm

Usable inner height	39 mm
Rung distance	500 mm
Max. load	114 kg/rung
Standard finish	Pre-galvanised
Optional finish HD	Hot-dip galvanised
Optional finish PE	Coating

HD	Reference	↑ mm	↔ mm	↔ mm	↔ mm	kg/m	📦	Stock	Unit
HD	<b>SKL60.200</b>	60	200		3000	2.430	24		m
HD	<b>SKL60.300</b>	60	300		3000	2.670	24		m
HD	<b>SKL60.400</b>	60	400		3000	2.930	24		m
HD	<b>SKL60.500</b>	60	500		3000	3.070	24		m
HD	<b>SKL60.600</b>	60	600		3000	3.330	24		m
Fix with:									
HD	<b>V60.200</b>	50	200	-	-	0.080	20	X	piece
HD	<b>VM6.10</b>	-	-	M6	10	0.008	100	X	piece

# D

## Universal cover



Especially used for horizontal en vertical sections.

Standard finish	Pre-galvanised
Optional finish HD	Hot-dip galvanised
Optional finish PE	Coating

HD	Reference	↑ mm	↔ mm	↔ mm	↔ mm	kg/m	📦	Stock	Unit
HD	<b>D200</b>	10	200	0.75	2000	1.420	20	X	m
HD	<b>D300</b>	10	300	1.00	2000	2.100	20	X	m
HD	<b>D400</b>	10	400	1.25	2000	4.150	20	X	m
HD	<b>D500</b>	10	500	1.25	2000	5.000	2	X	m
HD	<b>D600</b>	10	600	1.25	2000	5.650	2	X	m
Fix with:									
-	<b>DCL</b>	-	-	-	-	0.005	100	X	piece

The technical information for this product can be found at the end of this chapter.  
Covers with width > 400 mm are delivered with diagonal reinforcements.

## DCL

### Cover clamp clips



Number: 2 pieces per meter.

Standard finish		Stainless Steel								
HD	Reference	↑ mm	↔ mm	↔ ← mm	↔↔ mm	kg/ piece	📦	Stock	Unit	
-	<b>DCL</b>	-			-	0.005	100	X	piece	

To order per full packaging.

## KLB

### Horizontal bend for KL



Radius	300 mm
Standard finish	Pre-galvanised
Optional finish HD	Hot-dip galvanised
Optional finish PE	Coating

HD	Reference	↑ mm	↔ mm	↔ ← mm	↔↔ mm	kg/ piece	📦	Stock	Unit	
HD	<b>KLB60.200</b>	60	200		-	2.900	1	X	piece	
HD	<b>KLB60.300</b>	60	300		-	3.600	1	X	piece	
HD	<b>KLB60.400</b>	60	400		-	4.200	1	X	piece	
HD	<b>KLB60.500</b>	60	500		-	4.600	1	X	piece	
HD	<b>KLB60.600</b>	60	600		-	5.050	1	X	piece	

Fix with:

HD	Reference	↑ mm	↔ mm	↔ ← mm	↔↔ mm	kg/ piece	📦	Stock	Unit	
HD	<b>V60.200</b>	50	200	-	-	0.080	20	X	piece	
HD	<b>VM6.10</b>	-	-	M6	10	0.008	100	X	piece	

Minimum number bolts and nuts VM6.10: 8 pieces.

## HDDIB

### Cover for horizontal bend 90°



Radius	300 mm
Standard finish	Hot-dip galvanised
Optional finish PE	Duplex system

Reference	↑ mm	↔ mm	↔ ← mm	↔↔ mm	kg/ piece	📦	Stock	Unit	
<b>HDDIB200</b>	20	205		-	1.783	1	X	piece	
<b>HDDIB300</b>	20	305		-	2.865	1	X	piece	
<b>HDDIB400</b>	20	405		-	4.101	1	X	piece	
<b>HDDIB500</b>	20	505		-	5.491	1	X	piece	
<b>HDDIB600</b>	20	605		-	7.035	1	X	piece	

Fix with:

-	<b>DCL</b>	-	-	-	-	0.005	100	X	piece	
---	------------	---	---	---	---	-------	-----	---	-------	--

# KLT

## T-Piece for KL



Radius	600 mm
Standard finish	Pre-galvanised
Optional finish HD	Hot-dip galvanised
Optional finish PE	Coating

	200	300	400	500	600
A	1400	1500	1600	1700	1800

HD	Reference	↓ mm	↔ mm	→ ← mm	↔ mm	kg/ piece	⊞	Stock	Unit
HD	<b>KLT60.200</b>	60	200		-	6.100	1		piece
HD	<b>KLT60.300</b>	60	300		-	7.000	1		piece
HD	<b>KLT60.400</b>	60	400		-	8.150	1		piece
HD	<b>KLT60.500</b>	60	500		-	9.150	1		piece
HD	<b>KLT60.600</b>	60	600		-	10.150	1		piece

Fix with:									
HD	<b>V60.200</b>	50	200	-	-	0.080	20	X	piece
HD	<b>VM6.10</b>	-	-	M6	10	0.008	100	X	piece

Minimum number bolts and nuts VM6.10: 12 pieces.

# KLX

## Cross-over for KL



Radius	600 mm
Standard finish	Pre-galvanised
Optional finish HD	Hot-dip galvanised
Optional finish PE	Coating

	200	300	400	500	600
A	1400	1500	1600	1700	1800

HD	Reference	↓ mm	↔ mm	→ ← mm	↔ mm	kg/ piece	⊞	Stock	Unit
HD	<b>KLX60.200</b>	60	200		-	8.200	1		piece
HD	<b>KLX60.300</b>	60	300		-	8.900	1		piece
HD	<b>KLX60.400</b>	60	400		-	9.800	1		piece
HD	<b>KLX60.500</b>	60	500		-	10.800	1		piece
HD	<b>KLX60.600</b>	60	600		-	11.400	1		piece

Fix with:									
HD	<b>V60.200</b>	50	200	-	-	0.080	20	X	piece
HD	<b>VM6.10</b>	-	-	M6	10	0.008	100	X	piece

Minimum number bolts and nuts VM6.10: 16 pieces.

## KLVB

### Flexible (rising / low) bend for KL



Standard finish

Pre-galvanised

Optional finish HD

Hot-dip galvanised

Optional finish PE

Coating

HD	Reference	↑ mm	↔ mm	→ ← mm	↔ mm	kg/ piece	📦	Stock	Unit
HD	<b>KLVB60.200</b>	60	200		-	3.700	1		piece
HD	<b>KLVB60.300</b>	60	300		-	4.000	1		piece
HD	<b>KLVB60.400</b>	60	400		-	4.200	1		piece
HD	<b>KLVB60.500</b>	60	500		-	4.600	1		piece
HD	<b>KLVB60.600</b>	60	600		-	4.900	1		piece

Fix with:

HD	<b>V60.200</b>	50	200	-	-	0.080	20	X	piece
HD	<b>VM6.10</b>	-	-	M6	10	0.008	100	X	piece

Minimum number bolts and nuts VM6.10: 8 pieces.

## HDAB35.110

### Stand-off bracket



Used for vertical mounting of the cable ladder.

Standard finish

Hot-dip galvanised

Optional finish PE

Duplex system

Reference	↑ mm	↔ mm	→ ← mm	↔ mm	kg/ piece	📦	Stock	Unit
<b>HDAB35.110</b>	150	40		-	0.210	20	X	piece

Fix with:

-	<b>HDVM6.20</b>	-	-	M6	20	0.009	100	X	piece
---	-----------------	---	---	----	----	-------	-----	---	-------

To order per full packaging.

## BK

### Fixing clamp



For fixing the cable ladder on the support bracket.

Standard finish

Pre-galvanised

Optional finish HD

Hot-dip galvanised

Optional finish PE

Coating

HD	Reference	↑ mm	↔ mm	→ ← mm	↔ mm	kg/ piece	📦	Stock	Unit
HD	<b>BK</b>	-			-	0.020	50	X	piece

To order per full packaging.

Bolt B6.20, nut RM6 and VFKG30 included.

Two pieces per bracket.

# SLOS

## Bolt in partition



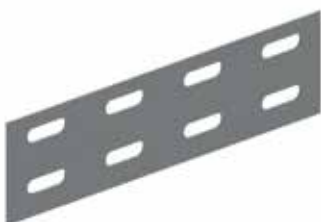
Standard finish	Pre-galvanised
Optional finish HD	Hot-dip galvanised
Optional finish PE	Coating

HD	Reference	↓ mm	↔ mm	→ ← mm	↔ mm	kg/m	📦	Stock	Unit
HD	<b>SLOS35</b>	35			3000	0.330	150	X	m
Fix with:									
HD	<b>RB6.10</b>	-	-	M6	10	0.004	100		piece

Fixing set: 1 per metre.

# V60.200

## Joiner



Standard finish	Pre-galvanised
Optional finish HD	Hot-dip galvanised
Optional finish PE	Coating

HD	Reference	↓ mm	↔ mm	→ ← mm	↔ mm	kg/ piece	📦	Stock	Unit
HD	<b>V60.200</b>	50	200		-	0.080	20	X	piece
Fix with:									
HD	<b>VM6.10</b>	-	-	M6	10	0.008	100	X	piece

To order per full packaging.  
Minimum number bolts and nuts: 4 pieces.

# DS

## Hinged joiner



Standard finish	Pre-galvanised
Optional finish HD	Hot-dip galvanised
Optional finish PE	Coating

HD	Reference	↓ mm	↔ mm	→ ← mm	↔ mm	kg/ piece	📦	Stock	Unit
HD	<b>DS60</b>	60			-	0.130	20	X	piece
Fix with:									
HD	<b>VM6.10</b>	-	-	M6	10	0.008	100	X	piece

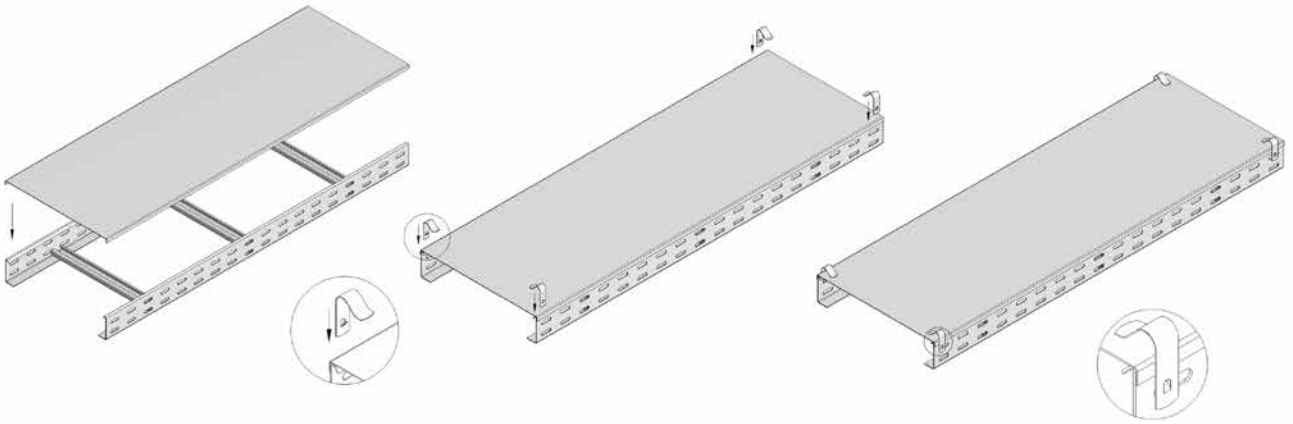
To order per full packaging.  
Minimum number bolts and nuts: 4 pieces.





# D

Technical information



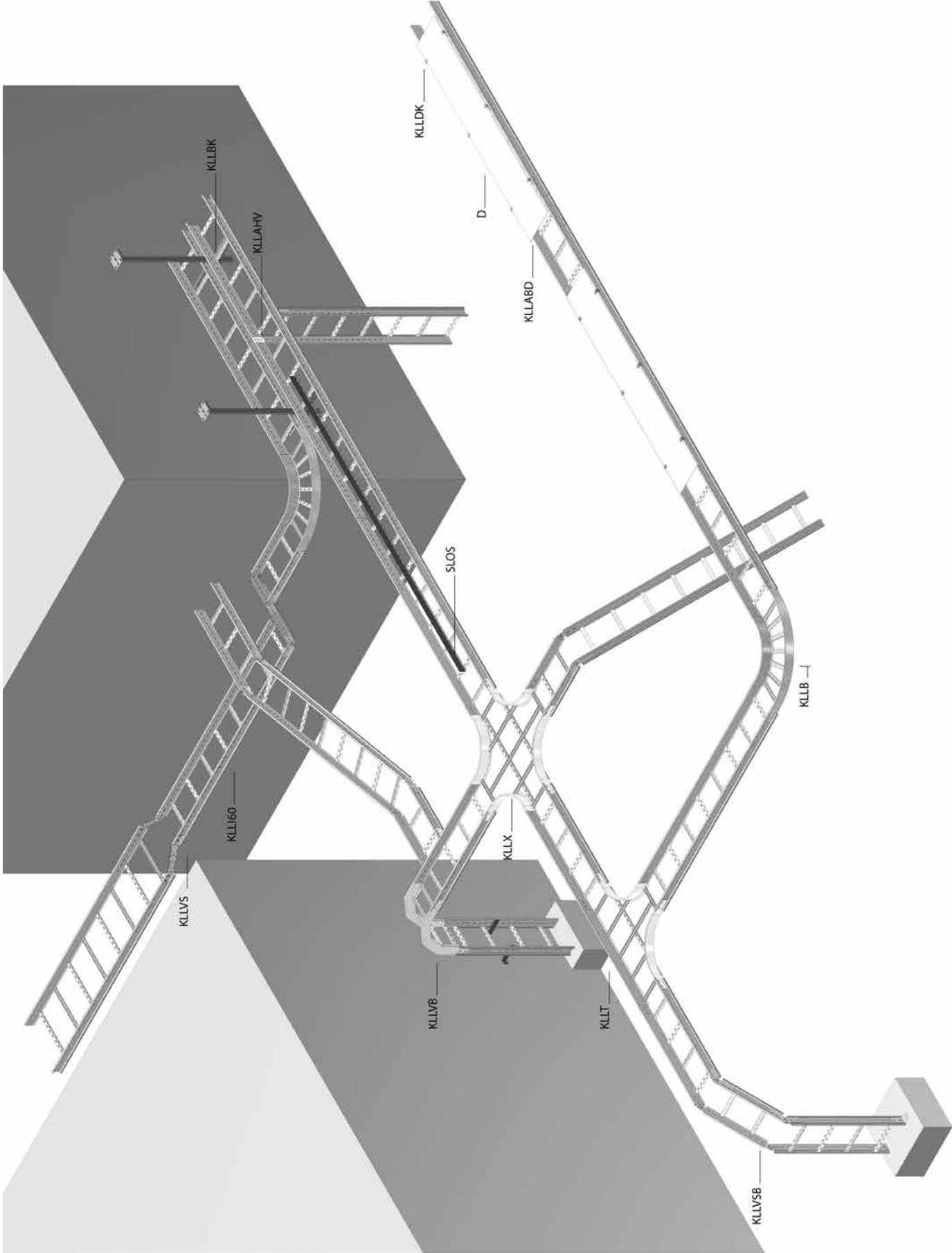


4

Cable ladders

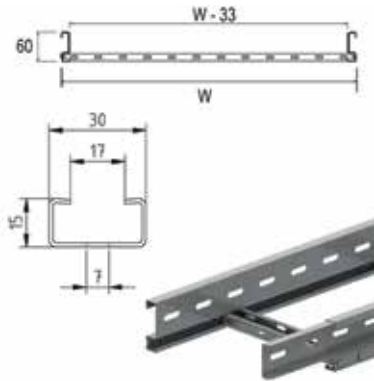


KLLI - KLL



# KLLI60

## Cable ladder interlocking ends



Side walls: perforated S-profile  
Perforated C rungs 15x30

Usable inner height	44 mm
Rung distance	250 mm (to order : 100 mm - 300 mm, increments of 50 mm)
To order	length 6000 mm
To order	width 700 - 1200 mm (increments of 100 mm)
Standard finish	Pre-galvanised
Optional finish HD	Hot-dip galvanised
Optional finish PE	Coating

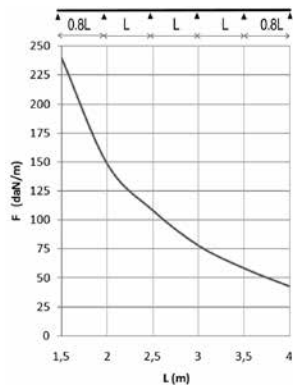
HD	Reference	↑ mm	↔ mm	→  ← mm	↔ mm	kg/m	⊞	Stock	Unit
HD	<b>KLLI60.150</b>	60	150	1.00	3000	2.142	30	X	m
HD	<b>KLLI60.200</b>	60	200	1.00	3000	2.261	30	X	m
HD	<b>KLLI60.300</b>	60	300	1.00	3000	2.499	30	X	m
HD	<b>KLLI60.400</b>	60	400	1.00	3000	2.736	30	X	m
HD	<b>KLLI60.500</b>	60	500	1.00	3000	2.974	30	X	m
HD	<b>KLLI60.600</b>	60	600	1.00	3000	3.212	30	X	m

Fix with:

HD	<b>VM6.10</b>	-	-	M6	10	0.008	100	X	piece
HD	<b>VMK6.10</b>	-	-	M6	-	0.009	100	X	piece

### LOAD DIAGRAM

This diagram illustrates the permissible uniformly distributed horizontal loads applied to multiple supports. They comply with IEC 61537 with connection in the centre of the span and the end span = 0,8x the span.



F = max. admissible load (daN/m)

L = support distance (m)

Max. deflection (m) = L/100

### CHARACTERISTICS

- lightweight
- strong
- interlocking
- partition (SLOS35) can be fixed to the cable ladder with a sliding nut (GM6) and pan head bolt (RB6.10)
- no further coupling holes are required if the cable ladder is cut
- use joiners (KLLKP60) and bolts (VM6.10) to join the cut lengths of cable ladder
- no joiners are required to attach accessories such as bends, tees etc.
- rungs are perforated to enable efficient attachment of cables.

### TECHNICAL INFORMATION

Side walls are constructed from S profile with a return flange and are continuously perforated.

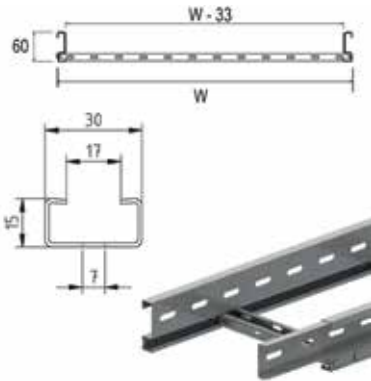
C-profile rungs are fixed at 250 mm intervals.

Rungs are mechanically attached to the side wall of the cable ladder.

Rungs are alternately placed with openings upwards and downwards.

# KLLI60.6

## Cable ladder interlocking ends



Side walls: perforated S-profile  
Perforated C rungs 15x30

Usable inner height	44 mm
Rung distance	250 mm (to order : 100 mm - 300 mm, increments of 50 mm)
To order	width 700 - 1200 mm (increments of 100 mm)
Standard finish	Pre-galvanised
Optional finish HD	Hot-dip galvanised
Optional finish PE	Coating

HD	Reference	↑ mm	↔ mm	↔ mm	↔ mm	kg/m	⊞	Stock	Unit
HD	<b>KLLI60.150.6</b>	60	150	1.00	6000	2.142	30		m
HD	<b>KLLI60.200.6</b>	60	200	1.00	6000	2.261	30		m
HD	<b>KLLI60.300.6</b>	60	300	1.00	6000	2.499	30		m
HD	<b>KLLI60.400.6</b>	60	400	1.00	6000	2.736	30		m
HD	<b>KLLI60.500.6</b>	60	500	1.00	6000	2.974	30		m
HD	<b>KLLI60.600.6</b>	60	600	1.00	6000	3.212	30		m

Fix with:

HD	<b>VM6.10</b>	-	-	M6	10	0.008	100	X	piece
HD	<b>VMK6.10</b>	-	-	M6	-	0.009	100	X	piece

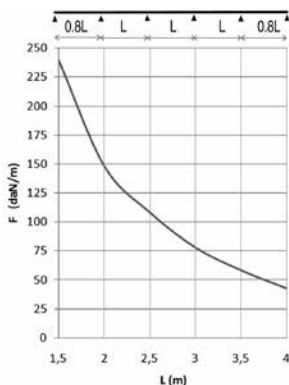
### LOAD DIAGRAM

This diagram illustrates the permissible uniformly distributed horizontal loads applied to multiple supports. They comply with IEC 61537 with connection in the centre of the span and the end span = 0,8x the span.

F = max. admissible load (daN/m)

L = support distance (m)

Max. deflection (m) = L/100



### CHARACTERISTICS

- lightweight
- strong
- interlocking
- partition (SLOS35) can be fixed to the cable ladder with a sliding nut (GM6) and pan head bolt (RB6.10)
- no further coupling holes are required if the cable ladder is cut
- use joiners (KLLKP60) and bolts (VM6.10) to join the cut lengths of cable ladder
- no joiners are required to attach accessories such as bends, tees etc.
- rungs are perforated to enable efficient attachment of cables.

### TECHNICAL INFORMATION

Side walls are constructed from S profile with a return flange and are continuously perforated.

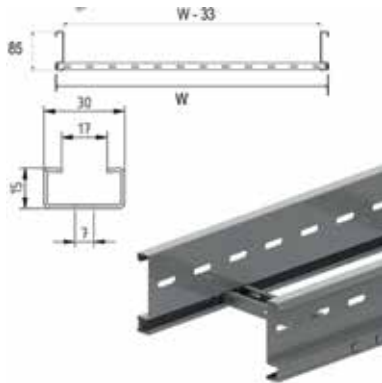
C-profile rungs are fixed at 250 mm intervals.

Rungs are mechanically attached to the side wall of the cable ladder.

Rungs are alternately placed with openings upwards and downwards.

# KLL85

## Cable ladder



Side walls: perforated S-profile  
Perforated C rungs 15x30

Usable inner height	69 mm
Rung distance	250 mm (to order : 100 mm - 300 mm, increments of 50 mm)
To order	length 6000 mm
To order	width 700 - 1200 mm (increments of 100 mm)
Standard finish	Pre-galvanised
Optional finish HD	Hot-dip galvanised
Optional finish PE	Coating

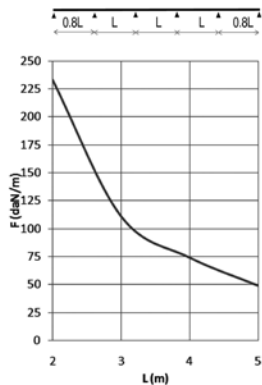
HD	Reference	↑ mm	↔ mm	→  ← mm	↔ mm	kg/m	⊞	Stock	Unit
HD	<b>KLL85.200</b>	85	200	1.00	3000	2.687	24		m
HD	<b>KLL85.300</b>	85	300	1.00	3000	2.925	24		m
HD	<b>KLL85.400</b>	85	400	1.00	3000	3.162	24		m
HD	<b>KLL85.500</b>	85	500	1.00	3000	3.400	24		m
HD	<b>KLL85.600</b>	85	600	1.00	3000	3.638	24		m
HD	<b>KLL85.800</b>	85	800	1.00	3000	4.113	24		m
HD	<b>KLL85.1000</b>	85	1000	1.00	3000	4.588	24		m

Fix with:

HD	<b>KLLKP85</b>	65	13	-	200	0.165	12		piece
HD	<b>VM6.10</b>	-	-	M6	10	0.008	100	X	piece

### LOAD DIAGRAM

This diagram illustrates the permissible uniformly distributed horizontal loads applied to multiple supports. They comply with IEC 61537 with connection in the centre of the span and the end span = 0,8x the span.



F = max. admissible load (daN/m)  
L = support distance (m)  
Max. deflection (m) = L/100

### CHARACTERISTICS

- lightweight
- strong
- partition (SLOS60) can be fixed to the cable ladder with a sliding nut (GM6) and pan head bolt (RB6.10)
- no further coupling holes are required if the cable ladder is cut.
- rungs are perforated to enable efficient attachment of cables.

### TECHNICAL INFORMATION

Side walls are constructed from S profile with a return flange and are continuously perforated.

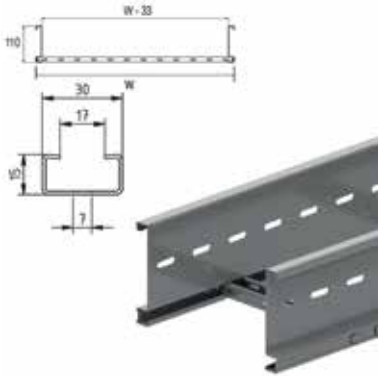
C-profile rungs are fixed at 250 mm intervals.

Rungs are mechanically attached to the side wall of the cable ladder.

Rungs are alternately placed with openings upwards and downwards.

# KLL110

## Cable ladder



Side walls: perforated S-profile  
Perforated C rungs 15x30

Usable inner height	94 mm
Rung distance	250 mm (to order : 100 mm - 300 mm, increments of 50 mm)
To order	length 6000 mm
To order	width 700 - 1200 mm (increments of 100 mm)
Standard finish	Pre-galvanised
Optional finish HD	Hot-dip galvanised
Optional finish PE	Coating

HD	Reference	↑ mm	↔ mm	→← mm	↔ mm	kg/m	📦	Stock	Unit
HD	<b>KLL110.200</b>	110	200	1.25	3000	3.699	18		m
HD	<b>KLL110.300</b>	110	300	1.25	3000	3.937	18		m
HD	<b>KLL110.400</b>	110	400	1.25	3000	4.174	18		m
HD	<b>KLL110.500</b>	110	500	1.25	3000	4.412	18		m
HD	<b>KLL110.600</b>	110	600	1.25	3000	4.650	18		m
HD	<b>KLL110.800</b>	110	800	1.25	3000	5.125	18		m
HD	<b>KLL110.1000</b>	110	1000	1.25	3000	5.600	18		m

Fix with:

HD	<b>VM6.10</b>	-	-	M6	10	0.008	100	X	piece
HD	<b>KLLKP110</b>	89	13	-	400	0.500	12		piece

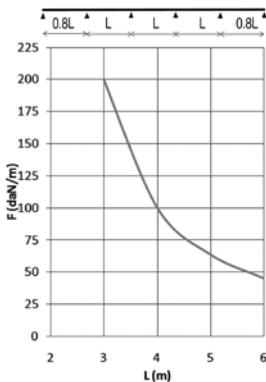
### LOAD DIAGRAM

This diagram illustrates the permissible uniformly distributed horizontal loads applied to multiple supports. They comply with IEC 61537 with connection in the centre of the span and the end span = 0,8x the span.

F = max. admissible load (daN/m)

L = support distance (m)

Max. deflection (m) = L/100



### CHARACTERISTICS

- lightweight
- strong
- partition (SLOS85) can be fixed to the cable ladder with a sliding nut (GM6) and pan head bolt (RB6.10)
- no further coupling holes are required if the cable ladder is cut.
- rungs are perforated to enable efficient attachment of cables.

### TECHNICAL INFORMATION

Side walls are constructed from S profile with a return flange and are continuously perforated.

C-profile rungs are fixed at 250 mm intervals.

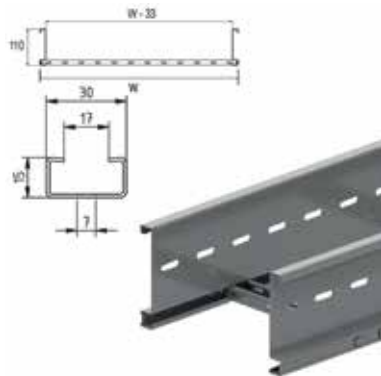
Rungs are mechanically attached to the side wall of the cable ladder.

Rungs are alternately placed with openings upwards and downwards.



# KLL110.6

## Cable ladder



Side walls: perforated S-profile  
Perforated C rungs 15x30

Usable inner height	94 mm
Rung distance	250 mm (to order : 100 mm - 300 mm, increments of 50 mm)
To order	width 700 - 1200 mm (increments of 100 mm)
Standard finish	Pre-galvanised
Optional finish HD	Hot-dip galvanised
Optional finish PE	Coating

HD	Reference	↑ mm	↔ mm	↔ mm	↔ mm	kg/m	📦	Stock	Unit
HD	<b>KLL110.200.6</b>	110	200	1.25	6000	3.699	36		m
HD	<b>KLL110.300.6</b>	110	300	1.25	6000	3.937	36		m
HD	<b>KLL110.400.6</b>	110	400	1.25	6000	4.174	36		m
HD	<b>KLL110.500.6</b>	110	500	1.25	6000	4.412	36		m
HD	<b>KLL110.600.6</b>	110	600	1.25	6000	4.650	36		m

Fix with:

HD	<b>VM6.10</b>	-	-	M6	10	0.008	100	X	piece
-	<b>HDKLLKP110</b>	89	13	-	400	0.500	12		piece

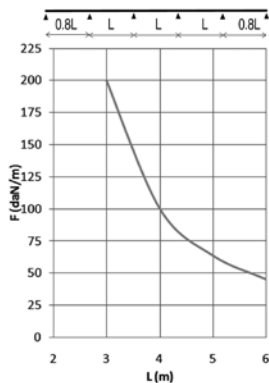
### LOAD DIAGRAM

This diagram illustrates the permissible uniformly distributed horizontal loads applied to multiple supports. They comply with IEC 61537 with connection in the centre of the span and the end span = 0,8x the span.

F = max. admissible load (daN/m)

L = support distance (m)

Max. deflection (m) = L/100



### CHARACTERISTICS

- lightweight
- strong
- partition (SLOS85) can be fixed to the cable ladder with a sliding nut (GM6) and pan head bolt (RB6.10)
- no further coupling holes are required if the cable ladder is cut.
- rungs are perforated to enable efficient attachment of cables.

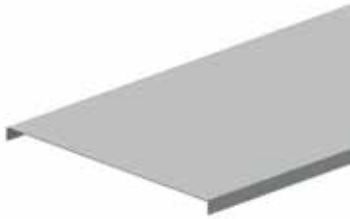
### TECHNICAL INFORMATION

Side walls are constructed from S profile with a return flange and are continuously perforated.

C-profile rungs are fixed at 250 mm intervals.

Rungs are mechanically attached to the side wall of the cable ladder.

Rungs are alternately placed with openings upwards and downwards.

**D****Universal cover**

Standard finish

Pre-galvanised

Optional finish HD

Hot-dip galvanised

Optional finish PE

Coating

HD	Reference	↑ mm	↔ mm	→ ← mm	↔ mm	kg/m	📦	Stock	Unit
HD <b>D150</b>		10	150	0.75	2000	1.170	20	X	m
HD <b>D200</b>		10	200	0.75	2000	1.420	20	X	m
HD <b>D300</b>		10	300	1.00	2000	2.100	20	X	m
HD <b>D400</b>		10	400	1.25	2000	4.150	20	X	m
HD <b>D500</b>		10	500	1.25	2000	5.000	2	X	m
HD <b>D600</b>		10	600	1.25	2000	5.650	2	X	m
Fix with:									
HD <b>KLLDK</b>		20	20	-	-	0.024	20		piece

Covers with width &gt; 400 mm are delivered with diagonal reinforcements.

**KLLDK****Cover clamp for KLL**

Number: 2 pieces per meter.

Standard finish

Pre-galvanised

Optional finish HD

Hot-dip galvanised

Optional finish PE

Coating

HD	Reference	↑ mm	↔ mm	→ ← mm	↔ mm	kg/ piece	📦	Stock	Unit
HD <b>KLLDK</b>		20	20		-	0.024	20		piece

The technical information for this product can be found at the end of this chapter.

To order per full packaging.

Included: Bolt B6.20

**KLLABD****Distance bracket for cover KLL**

Used for ventilating the cover.

Number: 2 pieces per meter.

Standard finish

Pre-galvanised

Optional finish HD

Hot-dip galvanised

Optional finish PE

Coating

HD	Reference	↑ mm	↔ mm	→ ← mm	↔ mm	kg/ piece	📦	Stock	Unit
HD <b>KLLABD</b>		90	60		19	0.100	4		piece
Fix with:									
HD <b>VM6.10</b>		-	-	M6	10	0.008	100	X	piece

The technical information for this product can be found at the end of this chapter.

To order per full packaging.

Can be used for heights: 60 - 85 - 110 mm.

# KLLB

## Horizontal bend for KLL



Radius	300 mm
Standard finish	Pre-galvanised
Optional finish HD	Hot-dip galvanised
Optional finish PE	Coating

HD	Reference	↓ mm	↔ mm	→  ← mm	↔ mm	kg/ piece	⊞	Stock	Unit
HD	<b>KLLB60.150</b>	60	141		-	1.659	1		piece
HD	<b>KLLB60.200</b>	60	191		-	1.898	1		piece
HD	<b>KLLB60.300</b>	60	291		-	2.375	1		piece
HD	<b>KLLB60.400</b>	60	391		-	2.852	1		piece
HD	<b>KLLB60.500</b>	60	491		-	3.329	1		piece
HD	<b>KLLB60.600</b>	60	591		-	3.806	1		piece
HD	<b>KLLB85.200</b>	85	198		-	2.378	1		piece
HD	<b>KLLB85.300</b>	85	298		-	2.897	1		piece
HD	<b>KLLB85.400</b>	85	398		-	3.415	1		piece
HD	<b>KLLB85.500</b>	85	498		-	3.934	1		piece
HD	<b>KLLB85.600</b>	85	598		-	4.453	1		piece
HD	<b>KLLB110.200</b>	110	198		-	2.826	1		piece
HD	<b>KLLB110.300</b>	110	298		-	3.384	1		piece
HD	<b>KLLB110.400</b>	110	398		-	3.940	1		piece
HD	<b>KLLB110.500</b>	110	498		-	4.498	1		piece
HD	<b>KLLB110.600</b>	110	598		-	5.055	1		piece

Fix with:

HD	<b>VM6.10</b>	-	-	M6	10	0.008	100	X	piece
----	---------------	---	---	----	----	-------	-----	---	-------

Minimum number bolts and nuts VM6.10: 8 pieces.

# HDDIB

## Industrial cover for bend



Radius	300 mm
Standard finish	Hot-dip galvanised
Optional finish PE	Duplex system

	Reference	↓ mm	↔ mm	→  ← mm	↔ mm	kg/ piece	⊞	Stock	Unit
<b>HDDIB200</b>		20	205		-	1.783	1	X	piece
<b>HDDIB300</b>		20	305		-	2.865	1	X	piece
<b>HDDIB400</b>		20	405		-	4.101	1	X	piece
<b>HDDIB500</b>		20	505		-	5.491	1	X	piece
<b>HDDIB600</b>		20	605		-	7.035	1	X	piece

# KLLT

## T-piece for KLL



Radius	300 mm
Standard finish	Pre-galvanised
Optional finish HD	Hot-dip galvanised
Optional finish PE	Coating

W (mm)	150	200	300	400	500	600
A (mm)	1021	1071	1171	1271	1371	1471

HD	Reference	↑ mm	↔ mm	→ ← mm	↔ mm	kg/ piece	📦	Stock	Unit
HD	<b>KLLT60.150</b>	60	141		-	2.229	1		piece
HD	<b>KLLT60.200</b>	60	191		-	2.821	1		piece
HD	<b>KLLT60.300</b>	60	291		-	3.447	1		piece
HD	<b>KLLT60.400</b>	60	391		-	3.882	1		piece
HD	<b>KLLT60.500</b>	60	491		-	4.317	1		piece
HD	<b>KLLT60.600</b>	60	591		-	4.753	1		piece
HD	<b>KLLT85.200</b>	85	198		-	3.484	1		piece
HD	<b>KLLT85.300</b>	85	298		-	4.134	1		piece
HD	<b>KLLT85.400</b>	85	398		-	4.594	1		piece
HD	<b>KLLT85.500</b>	85	498		-	5.054	1		piece
HD	<b>KLLT85.600</b>	85	598		-	5.514	1		piece
HD	<b>KLLT110.200</b>	110	198		-	4.131	1		piece
HD	<b>KLLT110.300</b>	110	298		-	4.806	1		piece
HD	<b>KLLT110.400</b>	110	398		-	5.290	1		piece
HD	<b>KLLT110.500</b>	110	498		-	5.775	1		piece
HD	<b>KLLT110.600</b>	110	598		-	6.260	1		piece

Fix with:

HD <b>VM6.10</b>	-	-	M6	10	0.008	100	X	piece
------------------	---	---	----	----	-------	-----	---	-------

Minimum number bolts and nuts VM6.10: 12 pieces.

# HDDIT

## Cover for T-piece



Radius	300 mm
Standard finish	Hot-dip galvanised
Optional finish PE	Duplex system

Reference	↑ mm	↔ mm	→ ← mm	↔ mm	kg/ piece	📦	Stock	Unit
<b>HDDIT200</b>	20	205		-	3.900	1	X	piece
<b>HDDIT300</b>	20	305		-	5.750	1	X	piece
<b>HDDIT400</b>	20	405		-	7.700	1	X	piece
<b>HDDIT500</b>	20	505		-	10.100	1	X	piece
<b>HDDIT600</b>	20	605		-	13.000	1	X	piece

# KLLX

## Cross-over for KLL



Radius	300 mm
Standard finish	Pre-galvanised
Optional finish HD	Hot-dip galvanised
Optional finish PE	Coating

W (mm)	150	200	300	400	500	600
A (mm)	1021	1071	1171	1271	1371	1471

HD	Reference	↓ mm	↔ mm	↔ mm	↔ mm	kg/ piece	⊞	Stock	Unit
HD	<b>KLLX60.150</b>	60	141		-	3.131	1		piece
HD	<b>KLLX60.200</b>	60	191		-	3.232	1		piece
HD	<b>KLLX60.300</b>	60	291		-	4.421	1		piece
HD	<b>KLLX60.400</b>	60	391		-	4.875	1		piece
HD	<b>KLLX60.500</b>	60	491		-	5.329	1		piece
HD	<b>KLLX60.600</b>	60	591		-	5.782	1		piece
HD	<b>KLLX85.200</b>	85	198		-	4.032	1		piece
HD	<b>KLLX85.300</b>	85	298		-	5.221	1		piece
HD	<b>KLLX85.400</b>	85	398		-	5.675	1		piece
HD	<b>KLLX85.500</b>	85	498		-	6.129	1		piece
HD	<b>KLLX85.600</b>	85	598		-	6.582	1		piece
HD	<b>KLLX110.200</b>	110	198		-	4.796	1		piece
HD	<b>KLLX110.300</b>	110	298		-	5.985	1		piece
HD	<b>KLLX110.400</b>	110	398		-	6.439	1		piece
HD	<b>KLLX110.500</b>	110	498		-	6.893	1		piece
HD	<b>KLLX110.600</b>	110	598		-	7.346	1		piece

Fix with:									
HD	<b>VM6.10</b>	-	-	M6	10	0.008	100	X	piece

Minimum number bolts and nuts VM6.10: 16 pieces.

## KLLVB

### External riser for KLL



Radius	300 mm
Standard finish	Pre-galvanised
Optional finish HD	Hot-dip galvanised
Optional finish PE	Coating

HD	Reference	↑ mm	↔ mm	↔ mm	↔ mm	kg/ piece	📦	Stock	Unit
HD	<b>KLLVB60.150</b>	60	141		-	1.528	1		piece
HD	<b>KLLVB60.200</b>	60	191		-	1.629	1		piece
HD	<b>KLLVB60.300</b>	60	291		-	1.830	1		piece
HD	<b>KLLVB60.400</b>	60	391		-	2.032	1		piece
HD	<b>KLLVB60.500</b>	60	491		-	2.234	1		piece
HD	<b>KLLVB60.600</b>	60	591		-	2.435	1		piece
HD	<b>KLLVB85.200</b>	85	198		-	2.083	1		piece
HD	<b>KLLVB85.300</b>	85	298		-	2.284	1		piece
HD	<b>KLLVB85.400</b>	85	398		-	2.486	1		piece
HD	<b>KLLVB85.500</b>	85	498		-	2.688	1		piece
HD	<b>KLLVB85.600</b>	85	598		-	2.889	1		piece
HD	<b>KLLVB110.200</b>	110	198		-	2.755	1		piece
HD	<b>KLLVB110.300</b>	110	298		-	2.956	1		piece
HD	<b>KLLVB110.400</b>	110	398		-	3.158	1		piece
HD	<b>KLLVB110.500</b>	110	498		-	3.360	1		piece
HD	<b>KLLVB110.600</b>	110	598		-	3.561	1		piece

Fix with:

HD	<b>VM6.10</b>	-	-	M6	10	0.008	100	X	piece
----	---------------	---	---	----	----	-------	-----	---	-------

Minimum number bolts and nuts VM6.10: 8 pieces.

## KLLSB

### Internal riser for KLL



Radius	300 mm
Standard finish	Pre-galvanised
Optional finish HD	Hot-dip galvanised
Optional finish PE	Coating

HD	Reference	↑ mm	↔ mm	↔ mm	↔ mm	kg/ piece	📦	Stock	Unit
HD	<b>KLLSB60.150</b>	60	141		-	1.528	1		piece
HD	<b>KLLSB60.200</b>	60	191		-	1.629	1		piece
HD	<b>KLLSB60.300</b>	60	291		-	1.830	1		piece
HD	<b>KLLSB60.400</b>	60	391		-	2.032	1		piece
HD	<b>KLLSB60.500</b>	60	491		-	2.234	1		piece
HD	<b>KLLSB60.600</b>	60	591		-	2.435	1		piece
HD	<b>KLLSB85.200</b>	85	198		-	2.083	1		piece
HD	<b>KLLSB85.300</b>	85	298		-	2.284	1		piece
HD	<b>KLLSB85.400</b>	85	398		-	2.486	1		piece
HD	<b>KLLSB85.500</b>	85	498		-	2.688	1		piece
HD	<b>KLLSB85.600</b>	85	598		-	2.889	1		piece
HD	<b>KLLSB110.200</b>	110	198		-	2.755	1		piece
HD	<b>KLLSB110.300</b>	110	298		-	2.956	1		piece
HD	<b>KLLSB110.400</b>	110	398		-	3.158	1		piece
HD	<b>KLLSB110.500</b>	110	498		-	3.360	1		piece
HD	<b>KLLSB110.600</b>	110	598		-	3.561	1		piece

Fix with:

HD	<b>VM6.10</b>	-	-	M6	10	0.008	100	X	piece
----	---------------	---	---	----	----	-------	-----	---	-------

Minimum number bolts and nuts VM6.10: 8 pieces.

## KLLVSB

Flexible (rising / low) bend for KLL



Standard finish	Pre-galvanised
Optional finish HD	Hot-dip galvanised
Optional finish PE	Coating

HD	Reference	↑ mm	↔ mm	→  ← mm	↔ mm	kg/ piece	📦	Stock	Unit
HD	<b>KLLVSB60.150</b>	60	150		1040	2.830	1		piece
HD	<b>KLLVSB60.200</b>	60	200		1040	2.930	1		piece
HD	<b>KLLVSB60.300</b>	60	300		1040	3.120	1		piece
HD	<b>KLLVSB60.400</b>	60	400		1040	3.310	1		piece
HD	<b>KLLVSB60.500</b>	60	500		1040	3.510	1		piece
HD	<b>KLLVSB60.600</b>	60	600		1040	3.660	1		piece
HD	<b>KLLVSB85.200</b>	85	200		1070	3.320	1		piece
HD	<b>KLLVSB85.300</b>	85	300		1070	3.520	1		piece
HD	<b>KLLVSB85.400</b>	85	400		1070	3.710	1		piece
HD	<b>KLLVSB85.500</b>	85	500		1070	3.900	1		piece
HD	<b>KLLVSB85.600</b>	85	600		1070	4.050	1		piece
HD	<b>KLLVSB110.200</b>	110	200		1090	4.330	1		piece
HD	<b>KLLVSB110.300</b>	110	300		1090	4.530	1		piece
HD	<b>KLLVSB110.400</b>	110	400		1090	4.720	1		piece
HD	<b>KLLVSB110.500</b>	110	500		1090	4.910	1		piece
HD	<b>KLLVSB110.600</b>	110	600		1090	5.060	1		piece

Fix with:									
HD	<b>VM6.10</b>	-	-	M6	10	0.008	100	X	piece

Minimum number bolts and nuts VM6.10: 8 pieces.

## KLLBK

Bracket clamp for KLL



For fixing the cable ladder on the wall bracket.

Standard finish	Pre-galvanised
Optional finish HD	Hot-dip galvanised
Optional finish PE	Coating

HD	Reference	↑ mm	↔ mm	→  ← mm	↔ mm	kg/ piece	📦	Stock	Unit
HD	<b>KLLBK25</b>	13	25		-	0.040	20		piece
HD	<b>KLLBK40</b>	13	40		-	0.098	20		piece

The technical information for this product can be found at the end of this chapter.

To order per full packaging.

KLLBK25: Bolt B6.20 and nuts RM6 included

KLLBK40: Bolt B8.20 and nuts PNP08 included

2 pieces per bracket

## KLLAHV

### Vertikal branch hook for KLL



Standard finish

Pre-galvanised

Optional finish HD

Hot-dip galvanised

Optional finish PE

Coating

HD	Reference	↑ mm	↔ mm	→  ← mm	↔ mm	kg/ piece	📦	Stock	Unit
HD	<b>KLLAHV60</b>	39	16		162	0.100	2		piece
HD	<b>KLLAHV85</b>	64	16		198	0.150	2		piece
HD	<b>KLLAHV110</b>	88	16		212	0.230	2		piece

Fix with:

HD	<b>VM6.10</b>	-	-	M6	10	0.008	100	X	piece
----	---------------	---	---	----	----	-------	-----	---	-------

To order per full packaging.

Minimum number bolts and nuts VM6.10: 4 pieces.

## KLLAH

### Horizontal branch hook for KLL



Standard finish

Pre-galvanised

Optional finish HD

Hot-dip galvanised

Optional finish PE

Coating

HD	Reference	↑ mm	↔ mm	→  ← mm	↔ mm	kg/ piece	📦	Stock	Unit
HD	<b>KLLAH60</b>	39	118		62	0.100	2		piece
HD	<b>KLLAH85</b>	64	118		87	0.150	2		piece
HD	<b>KLLAH110</b>	88	118		111	0.230	2		piece

Fix with:

HD	<b>VM6.10</b>	-	-	M6	10	0.008	100	X	piece
----	---------------	---	---	----	----	-------	-----	---	-------

To order per full packaging.

Minimum number bolts and nuts VM6.10: 4 pieces.

## KLLDSH

### Horizontal hinged joiner for KLL



Standard finish

Pre-galvanised

Optional finish HD

Hot-dip galvanised

Optional finish PE

Coating

HD	Reference	↑ mm	↔ mm	→  ← mm	↔ mm	kg/ piece	📦	Stock	Unit
HD	<b>KLLDSH60</b>	41	10		200	0.080	6		piece
HD	<b>KLLDSH85</b>	65	10		200	0.118	6		piece
HD	<b>KLLDSH110</b>	90	10		200	0.157	6		piece

Fix with:

HD	<b>VM6.10</b>	-	-	M6	10	0.008	100	X	piece
----	---------------	---	---	----	----	-------	-----	---	-------

To order per full packaging.

Minimum number bolts and nuts VM6.10: 4 pieces.



# KLLDSV

## Vertical hinged joiner for KLL



Standard finish	Pre-galvanised
Optional finish HD	Hot-dip galvanised
Optional finish PE	Coating

HD	Reference	↓ mm	↔ mm	↔ mm	↔ mm	kg/ piece	📦	Stock	Unit
HD	<b>KLLDSV60</b>	37	12		240	0.160	6		piece
HD	<b>KLLDSV85</b>	64	12		266	0.260	6		piece
HD	<b>KLLDSV110</b>	88	12		290	0.380	6		piece

Fix with:									
HD	<b>VM6.10</b>	-	-	M6	10	0.008	100	X	piece

To order per full packaging.  
Minimum number bolts and nuts VM6.10: 4 pieces.

# KLLVS

## Reducing plate for KLL



Max. reduction of 300mm	
Standard finish	Pre-galvanised
Optional finish HD	Hot-dip galvanised
Optional finish PE	Coating

HD	Reference	↓ mm	↔ mm	↔ mm	↔ mm	kg/ piece	📦	Stock	Unit
HD	<b>KLLVS60</b>	37	13		400	0.260	6		piece
HD	<b>KLLVS85</b>	65	13		400	0.436	6		piece
HD	<b>KLLVS110</b>	89	13		500	0.740	6		piece

Fix with:									
HD	<b>VM6.10</b>	-	-	M6	10	0.008	100	X	piece

The technical information for this product can be found at the end of this chapter.  
To order per full packaging.  
Minimum number bolts and nuts VM6.10: 4 pieces.

# KLLVST

## Floor Support for KLL



Standard finish	Pre-galvanised
Optional finish HD	Hot-dip galvanised
Optional finish PE	Coating

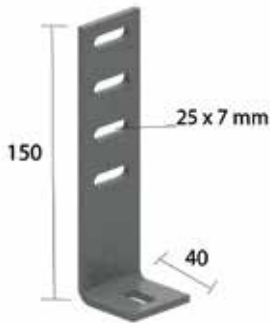
HD	Reference	↓ mm	↔ mm	↔ mm	↔ mm	kg/ piece	📦	Stock	Unit
HD	<b>KLLVST60</b>	37	35		100	0.080	2		piece
HD	<b>KLLVST85</b>	64	60		100	0.130	2		piece
HD	<b>KLLVST110</b>	88	82		100	0.190	2		piece

Fix with:									
HD	<b>VM6.10</b>	-	-	M6	10	0.008	100	X	piece

To order per full packaging.  
Minimum number bolts and nuts VM6.10: 2 pieces.

## HDAB35.110

### Stand-off bracket for KL/SKL



Used for vertical mounting of the cable ladder.

Standard finish Hot-dip galvanised

Optional finish PE Duplex system

Reference	↑ mm	↔ mm	→ ← mm	↔ mm	kg/ piece	📦	Stock	Unit
<b>HDAB35.110</b>	150	40		-	0.210	20	X	piece
Fix with:								
- <b>HDVM6.20</b>	-	-	M6	20	0.009	100	X	piece

To order per full packaging.

## DOPKLL

### End cap for KLL



Color yellow

Standard finish Polyvinyl chloride

HD	Reference	↑ mm	↔ mm	→ ← mm	↔ mm	kg/ piece	📦	Stock	Unit
-	<b>DOPKLL60</b>	60			-	0.016	12		piece
-	<b>DOPKLL85</b>	85			-	0.020	12		piece
-	<b>DOPKLL110</b>	110			-	0.025	12		piece

To order per full packaging.

## DOPKLL60.M

### End cap for KLLI60 narrowed end



Standard finish Polyvinyl chloride

HD	Reference	↑ mm	↔ mm	→ ← mm	↔ mm	kg/ piece	📦	Stock	Unit
-	<b>DOPKLL60.M</b>	60	21		30	0.012	12		piece

To order per full packaging.

# KLLKP

## Joiner for KLL



Standard finish

Pre-galvanised

Optional finish HD

Hot-dip galvanised

Optional finish PE

Coating

HD	Reference	↓ mm	↔ mm	→  ← mm	↔ mm	kg/ piece	📦	Stock	Unit
HD	<b>KLLKP60</b>	41	10		200	0.085	12		piece
HD	<b>KLLKP85</b>	65	13		200	0.165	12		piece
HD	<b>KLLKP110</b>	89	13		400	0.500	12		piece

Fix with:

HD	<b>VM6.10</b>	-	-	M6	10	0.008	100	X	piece
----	---------------	---	---	----	----	-------	-----	---	-------

The technical information for this product can be found at the end of this chapter.

To order per full packaging.

Minimum number bolts and nuts VM6.10: 4 pieces.

# SLOS

## Bolt-in partition



Standard finish

Pre-galvanised

Optional finish HD

Hot-dip galvanised

Optional finish PE

Coating

HD	Reference	↓ mm	↔ mm	→  ← mm	↔ mm	kg/m	📦	Stock	Unit
HD	<b>SLOS35</b>	35			3000	0.330	150	X	m
HD	<b>SLOS60</b>	60			3000	0.511	120	X	m
HD	<b>SLOS85</b>	85			3000	0.680	60	X	m

Fix with:

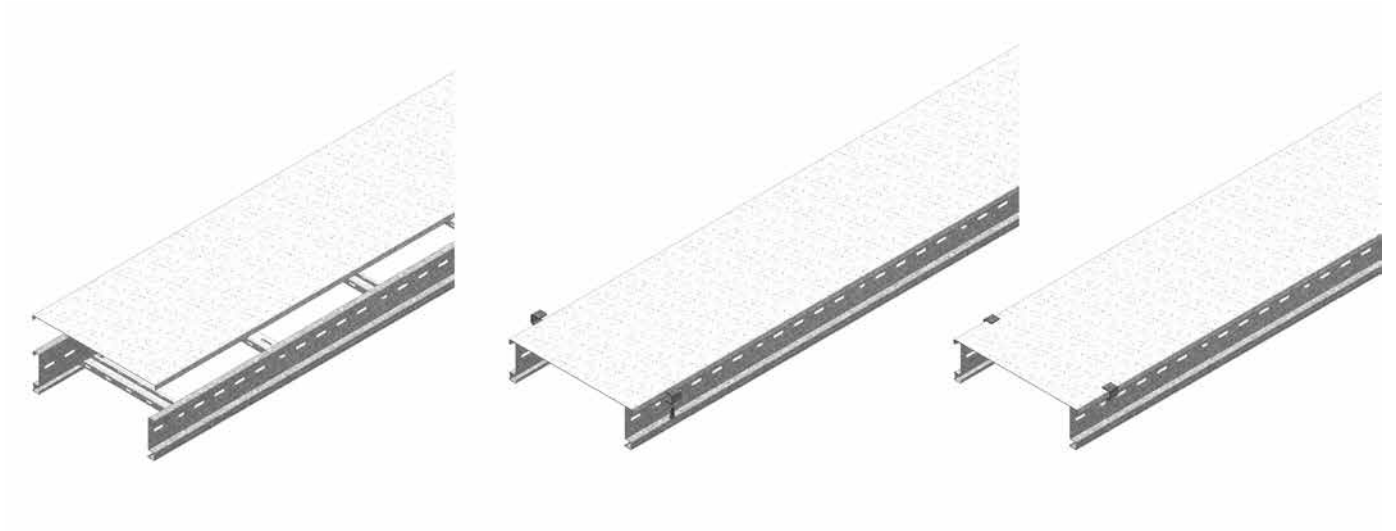
HD	<b>RB6.10</b>	-	-	M6	10	0.004	100		piece
----	---------------	---	---	----	----	-------	-----	--	-------

Fixing set: 1 per metre.



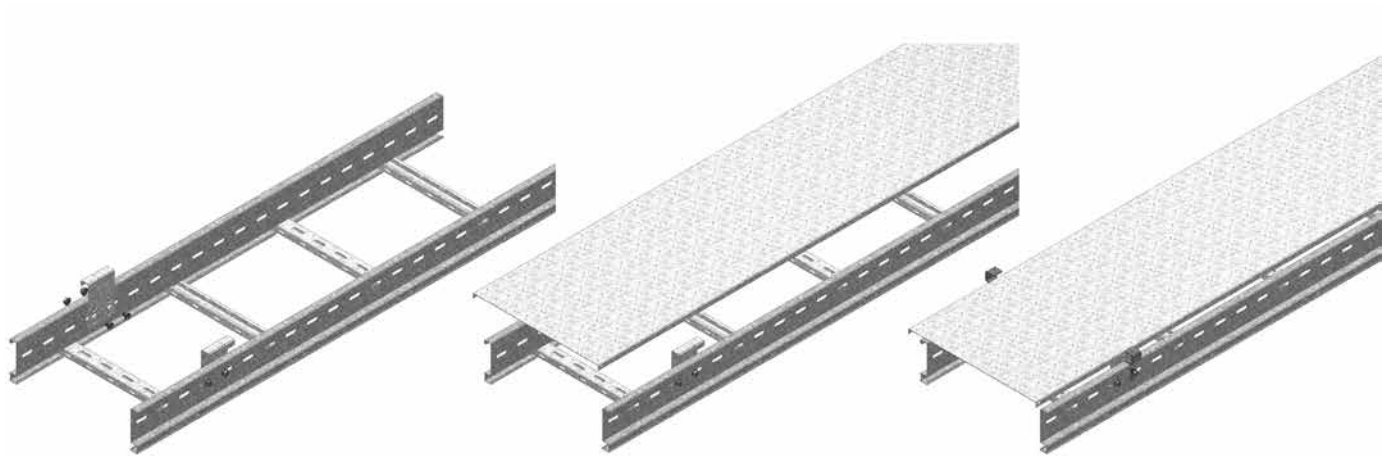
# KLLDK

Technical information



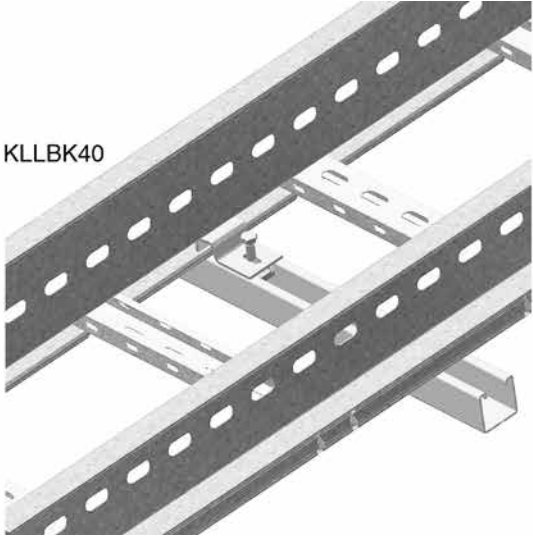
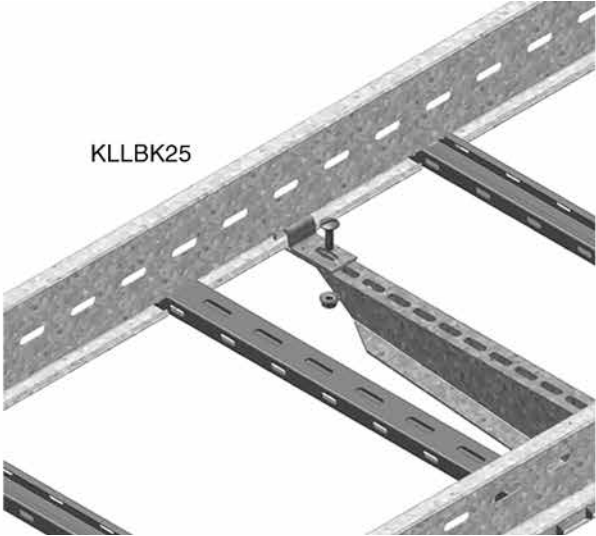
# KLLABD

Technical information



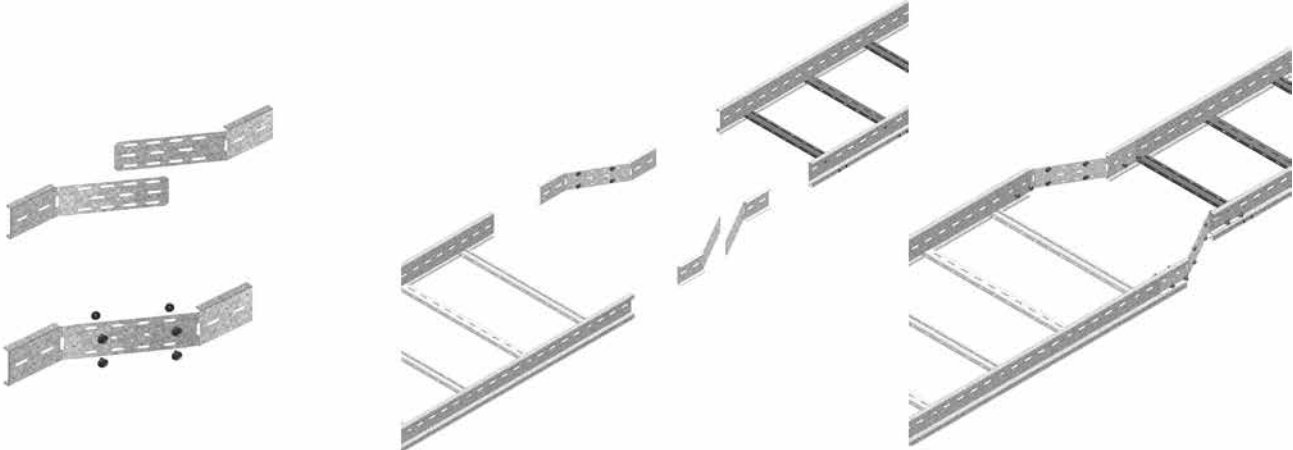
# KLLBK

## Technical information



# KLLVS

## Technical information



# KLLKP

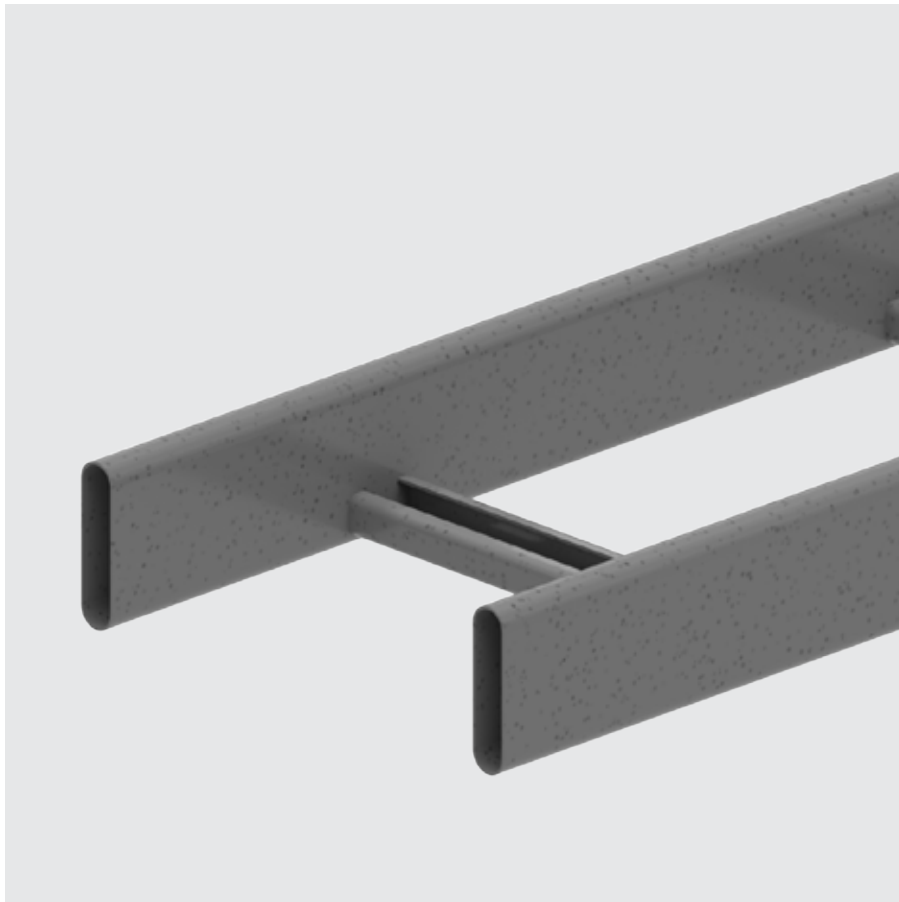
## Technical information



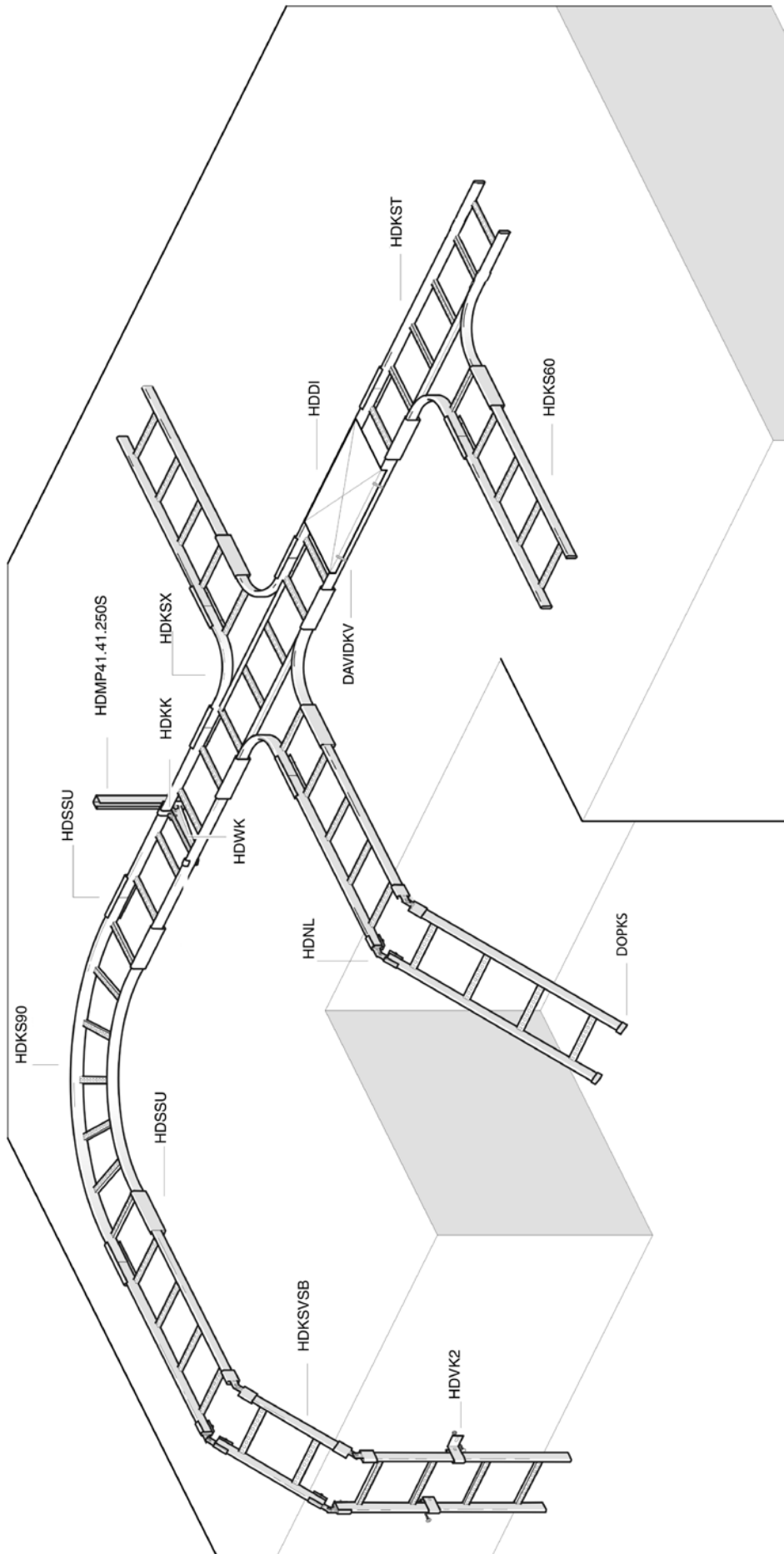




4 Cable ladders

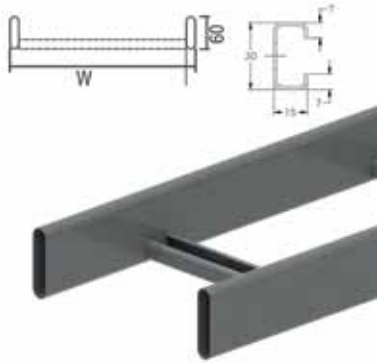


HDKS



# HDKS60

## Cable ladder DAVID



Tubular side walls.  
Perforated C-rungs 15x30

Usable inner height	45 mm
Rung distance	250 mm
Standard finish	Hot-dip galvanised
Optional finish PE	Duplex system

Reference	↓ mm	↔ mm	↔ mm	↔ mm	kg/m	⊞	Stock	Unit
<b>HDKS60.200</b>	60	200		6000	2.800	60	X	m
<b>HDKS60.300</b>	60	300		6000	3.080	60	X	m
<b>HDKS60.400</b>	60	400		6000	3.320	60	X	m
<b>HDKS60.500</b>	60	500		6000	3.530	60	X	m
<b>HDKS60.600</b>	60	600		6000	3.870	60	X	m

Fix with:

<b>HDSSU</b>	66	225	-	-	0.410	10	X	piece
--------------	----	-----	---	---	-------	----	---	-------

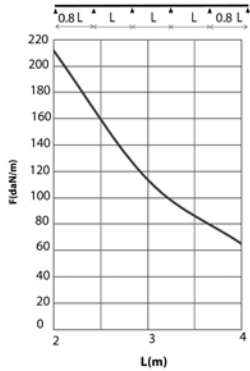
### LOAD DIAGRAM

This diagram illustrates the permissible uniformly distributed horizontal loads applied to multiple supports. They comply with IEC 61537 with connection to 1/5 of the span and the end span = 0,8x the span.

F = max. admissible load (daN/m)

L = support distance (m)

Max. deflection (m) = L/100



### CHARACTERISTICS

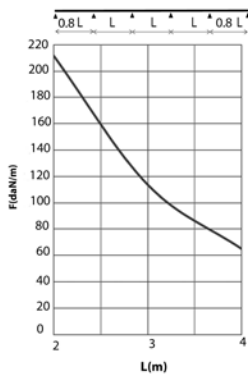
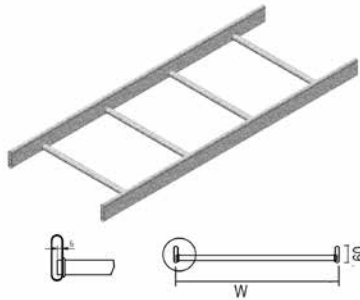
- lightweight
- strong
- rounded tubular side-walls eliminate the risk of cable damage
- hot-dip galvanised as standard
- wrap around joiners with pre-assembled tap bolts ensure a fast secure connection
- rungs are perforated to enable efficient attachment of cables.
- partition (HDSLOS35) can be fixed to the cable ladder with a sliding nut (GM6) and pan head bolt (HDRB6.10).

### TECHNICAL INFORMATION

- Side walls are constructed from tubular section 60 mm x 15 mm.
- C-rungs are fixed at 250 mm intervals.
- Rungs are welded to the side wall of the cable ladder.
- Rungs are alternately placed with openings upwards and downwards.

# HDKSR60

## Cable ladder DAVID tubular rungs



Usable inner height	33 mm
Rung distance	250 mm
Standard finish	Hot-dip galvanised
Optional finish PE	Duplex system

Reference	↑ mm	↔ mm	↔ mm	↔ mm	kg/m	📦	Stock	Unit
<b>HDKSR60.200</b>	60	200		6000	2.700	60		m
<b>HDKSR60.300</b>	60	300		6000	2.940	60		m
<b>HDKSR60.400</b>	60	400		6000	3.180	60		m
<b>HDKSR60.500</b>	60	500		6000	3.430	60		m
<b>HDKSR60.600</b>	60	600		6000	3.670	60		m

### LOAD DIAGRAM

This diagram illustrates the permissible uniformly distributed horizontal loads applied to multiple supports. They comply with IEC 61537 par 10.3.3 test type III with connection to 1/5 of the span.

F = max. admissible load (daN/m)

L = support distance (m)

Max. deflection (m) = L/100

### CHARACTERISTICS

- lightweight
- rounded tubular side-walls eliminate the risk of cable damage.
- side walls have closed ends.
- does not accumulate dust

### TECHNICAL INFORMATION

- Side walls are constructed from tubular section 60 mm x 15 mm.
- Ø 19 mm tubular rungs are fixed at 250 mm intervals.
- rungs are welded to the side wall of the cable ladder.

# HDDI

## Industrial cover



Standard finish	Hot-dip galvanised
Optional finish PE	Duplex system

Reference	↑ mm	↔ mm	↔ mm	↔ mm	kg/m	📦	Stock	Unit
<b>HDDI200</b>	20	205		2000	1.850	2		m
<b>HDDI300</b>	20	305		2000	3.250	2		m
<b>HDDI400</b>	20	405		2000	4.250	2		m
<b>HDDI500</b>	20	505		2000	5.250	2		m
<b>HDDI600</b>	20	605		2000	6.400	2		m

Fix with:

-	<b>DAVIDKV</b>	-	-	-	-	0.020	20	X	piece
---	----------------	---	---	---	---	-------	----	---	-------

Covers with width > 400 mm are delivered with diagonal reinforcements.

# DAVIDKV

Cover clamp for HDKS



Number: 2 pieces per metre.

Standard finish	Spring steel
-----------------	--------------

HD	Reference	↑ mm	↔ mm	↔ ← mm	↔↔ mm	kg/ piece	📦	Stock	Unit
-	DAVIDKV	-			-	0.020	20	X	piece

To order per full packaging.

# HDKS90

Horizontal bend for HDKS



Radius	300 mm
--------	--------

Standard finish	Hot-dip galvanised
-----------------	--------------------

Optional finish PE	Duplex system
--------------------	---------------

Reference	↑ mm	↔ mm	↔ ← mm	↔↔ mm	kg/ piece	📦	Stock	Unit
HDKS90.200	60	200		-	2.600	1	X	piece
HDKS90.300	60	300		-	3.150	1	X	piece
HDKS90.400	60	400		-	3.500	1	X	piece
HDKS90.500	60	500		-	3.900	1	X	piece
HDKS90.600	60	600		-	4.600	1	X	piece

Fix with:									
HDSSU	66	225	-	-	0.410	10	X	piece	

The technical information for this product can be found at the end of this chapter.

# HDDIB

Industrial cover for bend



Radius	300 mm
--------	--------

Standard finish	Hot-dip galvanised
-----------------	--------------------

Optional finish PE	Duplex system
--------------------	---------------

Reference	↑ mm	↔ mm	↔ ← mm	↔↔ mm	kg/ piece	📦	Stock	Unit
HDDIB200	20	205		-	1.783	1	X	piece
HDDIB300	20	305		-	2.865	1	X	piece
HDDIB400	20	405		-	4.101	1	X	piece
HDDIB500	20	505		-	5.491	1	X	piece
HDDIB600	20	605		-	7.035	1	X	piece

Fix with:									
-	DAVIDKV	-	-	-	0.020	20	X	piece	

## HDKST

### T-piece for HDKS



Radius	300 mm
Standard finish	Hot-dip galvanised
Optional finish PE	Duplex system

W	200	300	400	500	600
A	1100	1200	1300	1400	1500

Reference	↑ mm	↔ mm	↔ mm	↔ mm	kg/ piece	📦	Stock	Unit
<b>HDKST200</b>	60	200		-	3.900	1	X	piece
<b>HDKST300</b>	60	300		-	4.300	1	X	piece
<b>HDKST400</b>	60	400		-	4.700	1	X	piece
<b>HDKST500</b>	60	500		-	5.700	1	X	piece
<b>HDKST600</b>	60	600		-	5.900	1	X	piece

Fix with:

<b>HDSSU</b>	66	225	-	-	0.410	10	X	piece
--------------	----	-----	---	---	-------	----	---	-------

## HDDIT

### Cover for T-piece



Radius	300 mm
Standard finish	Hot-dip galvanised
Optional finish PE	Duplex system

Reference	↑ mm	↔ mm	↔ mm	↔ mm	kg/ piece	📦	Stock	Unit
<b>HDDIT200</b>	20	205		-	3.900	1	X	piece
<b>HDDIT300</b>	20	305		-	5.750	1	X	piece
<b>HDDIT400</b>	20	405		-	7.700	1	X	piece
<b>HDDIT500</b>	20	505		-	10.100	1	X	piece
<b>HDDIT600</b>	20	605		-	13.000	1	X	piece

Fix with:

- <b>DAVIDKV</b>	-	-	-	-	0.020	20	X	piece
------------------	---	---	---	---	-------	----	---	-------

## HDKSX

### Cross-over for HDKS



Radius	300 mm
Standard finish	Hot-dip galvanised
Optional finish PE	Duplex system

W	200	300	400	500	600
A	1100	1200	1300	1400	1500

Reference	↑ mm	↔ mm	↔ mm	↔ mm	kg/ piece	📦	Stock	Unit
<b>HDKSX200</b>	60	200		-	5.100	1		piece
<b>HDKSX300</b>	60	300		-	5.700	1		piece
<b>HDKSX400</b>	60	400		-	6.200	1		piece
<b>HDKSX500</b>	60	500		-	6.900	1		piece
<b>HDKSX600</b>	60	600		-	7.600	1		piece
<b>HDSSU</b>	66	225	-	-	0.410	10	X	piece

# HDKSVSB

Flexible (rising / low) bend for HDKS



Direct coupling.

Standard finish

Hot-dip galvanised

Optional finish PE

Duplex system

Reference	↓ mm	↔ mm	→ ← mm	↔ mm	kg/ piece	📦	Stock	Unit
<b>HDKSVSB200</b>	60	200		-	1.480	1	X	piece
<b>HDKSVSB300</b>	60	300		-	2.550	1	X	piece
<b>HDKSVSB400</b>	60	400		-	2.700	1	X	piece
<b>HDKSVSB500</b>	60	500		-	2.700	1	X	piece
<b>HDKSVSB600</b>	60	600		-	2.950	1	X	piece

# HDNL

Hinged joiner for HDKS



Can also be used as an End Support.

Standard finish

Hot-dip galvanised

Optional finish PE

Duplex system

Reference	↓ mm	↔ mm	→ ← mm	↔ mm	kg/ piece	📦	Stock	Unit
<b>HDNL</b>	66			-	0.290	12	X	piece

To order per full packaging.

Included: Bolt HDRBK6.10 and nut HDRM6.

Premounted with tapbolt 6x12.

# HDDSKSH

Horizontal hinged joiner for HDKS



Standard finish

Hot-dip galvanised

Optional finish PE

Duplex system

Reference	↓ mm	↔ mm	→ ← mm	↔ mm	kg/ piece	📦	Stock	Unit
<b>HDDSKSH</b>	65			-	0.490	6	X	piece

To order per full packaging.

## HDVK2

### Wall distance bracket for HDKS



For vertical mounting of the cable ladder.

Standard finish	Hot-dip galvanised
Optional finish PE	Duplex system

Reference	↑ mm	↔ mm	→ ← mm	↔ mm	kg/ piece	📦	Stock	Unit
<b>HDVK2</b>	97	40		-	0.180	20	X	piece

To order per full packaging.  
Included: Bolt HDRBK8.30 and nut HDRM8.

## HDKK

### Bracket clamp for HDKS



Mount the cable ladder on the wall bracket.

Standard finish	Hot-dip galvanised
Optional finish PE	Duplex system

Reference	↑ mm	↔ mm	→ ← mm	↔ mm	kg/ piece	📦	Stock	Unit
<b>HDKK</b>	58	25		-	0.070	20	X	piece

The technical information for this product can be found at the end of this chapter.  
To order per full packaging.  
Included: Hexagon bolt B6.20 and flange head nut HDRM6.

## DOPKS

### End cap for HDKS(R) and I6KSF



Color yellow

Standard finish Polyvinyl chloride

HD	Reference	↑ mm	↔ mm	→ ← mm	↔ mm	kg/ piece	📦	Stock	Unit
-	<b>DOPKS</b>	60			-	0.010	50	X	piece

To order per full packaging.



# SLOS

Bolt in partition



Standard finish	Pre-galvanised
Optional finish HD	Hot-dip galvanised
Optional finish PE	Coating

HD	Reference	↓ mm	↔ mm	↔ mm	↔ mm	kg/m	📦	Stock	Unit
HD	<b>SLOS35</b>	35			3000	0.330	150	X	m

Fixing set: 1 per meter.  
 HDKS60: HDVM6.10  
 HDKSR60: HDBKID25

# HDSSU

Joiner for HDKS



Standard finish	Hot-dip galvanised
Optional finish PE	Duplex system

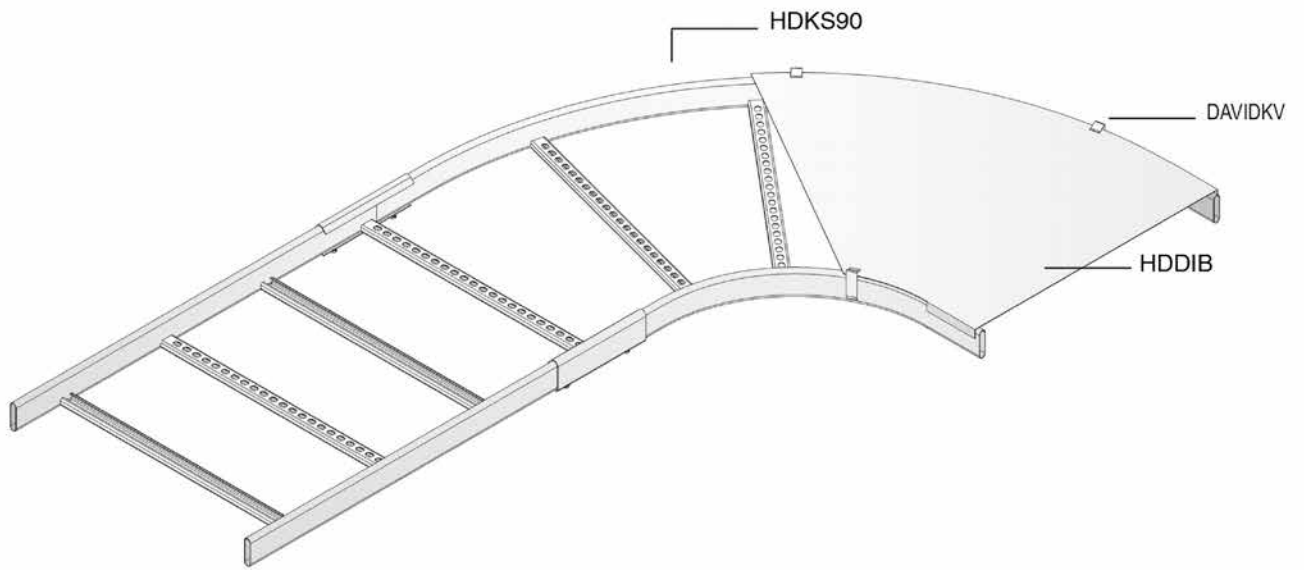
Reference	↓ mm	↔ mm	↔ mm	↔ mm	kg/ piece	📦	Stock	Unit
<b>HDSSU</b>	66	225		-	0.410	10	X	piece

To order per full packaging.  
 Premounted with 2 tapbolts 6x12.



# HDKS90

## Technical information



# HDKK

## Technical information





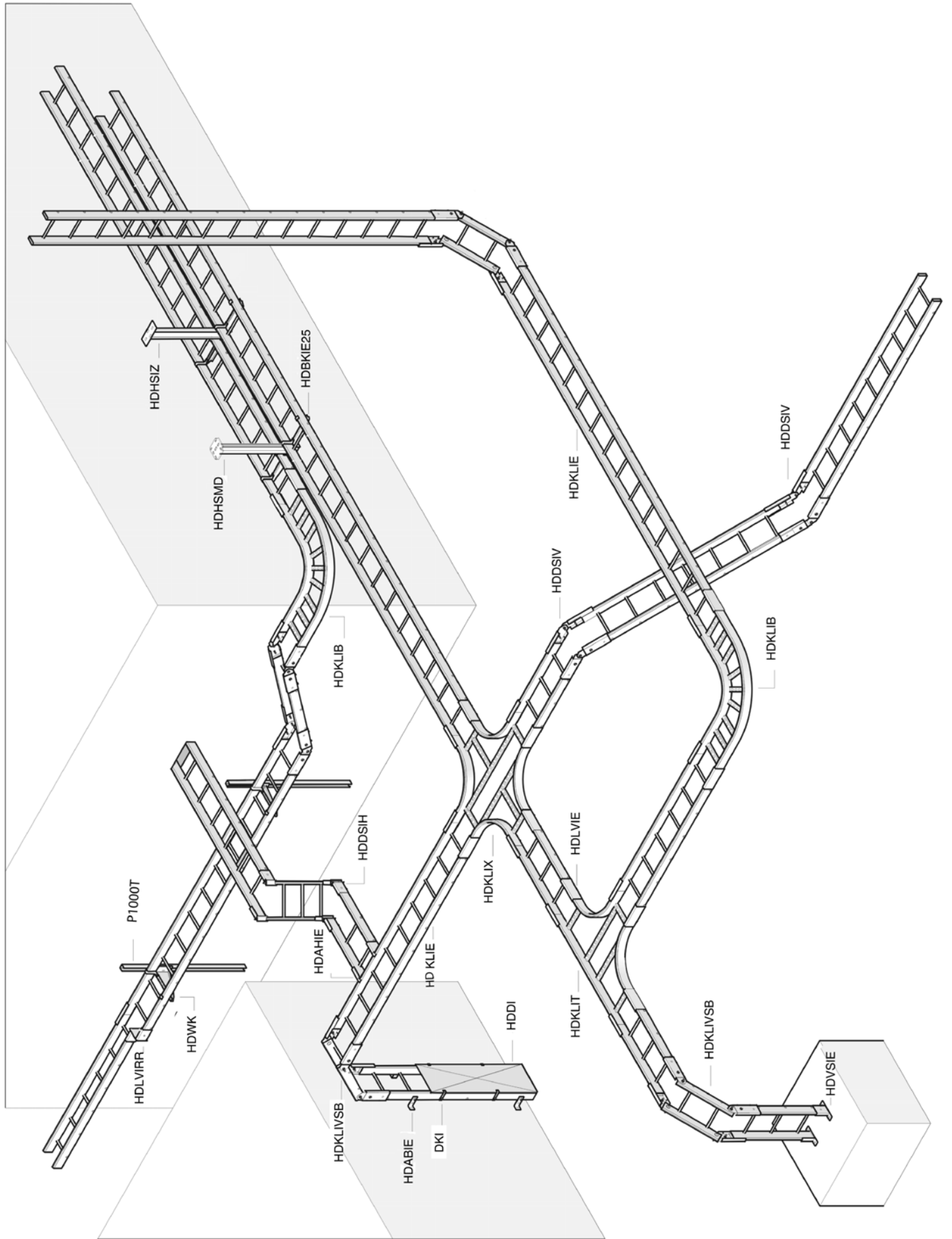
4

Cable ladders



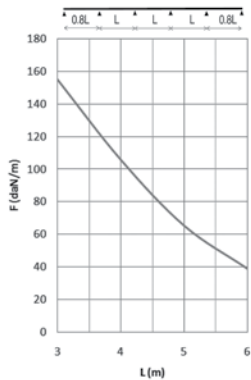
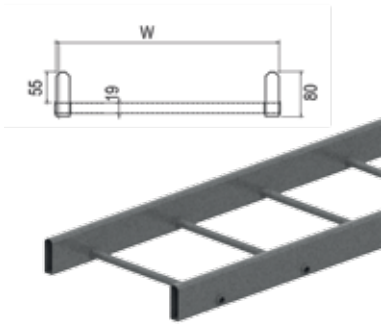
HDKLIE





# HDKLIE

## Industrial cable ladder



Usable inner height	55 mm
Rung distance	250 mm
Standard finish	Hot-dip galvanised
Optional finish PE	Duplex system

Reference	↑ mm	↔ mm	↔ mm	↔ mm	kg/m	📦	Stock	Unit
<b>HDKLIE200</b>	80	200		6000	4.050	60	X	m
<b>HDKLIE300</b>	80	300		6000	4.330	60	X	m
<b>HDKLIE400</b>	80	400		6000	4.650	60	X	m
<b>HDKLIE500</b>	80	500		6000	4.880	60	X	m
<b>HDKLIE600</b>	80	600		6000	5.030	60	X	m

Fix with:

<b>HDLVIE</b>	88	-	-	220	0.760	10	X	piece
---------------	----	---	---	-----	-------	----	---	-------

### LOAD DIAGRAM

This diagram illustrates the permissible uniformly distributed horizontal loads applied to multiple supports. They comply with IEC 61537 and the end span = 0,8x the span. For spans > 4m, it is advised to add an extra B10.40 and M10 through the side walls and joining plates.

F = max. admissible load (daN/m)

L = support distance (m)

Max. deflection (m) = L/100

### CHARACTERISTICS

- Partition SLOS35/60 or HDSLOS35/60 should be fixed to the cable ladder by means of fixing clamp HDBKID25.

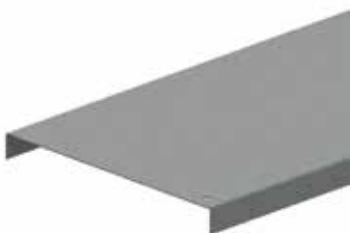
### TECHNICAL INFORMATION

The side walls are made of steel tubes with section 80 mm x 25 mm. Rungs made of 19 mm tube.

Connection between rungs and side walls by means of a double flange every 250 mm.

# HDDI

## Industrial cover



Standard finish	Hot-dip galvanised
Optional finish PE	Duplex system

Reference	↑ mm	↔ mm	↔ mm	↔ mm	kg/m	📦	Stock	Unit
<b>HDDI200</b>	20	205		2000	1.850	2		m
<b>HDDI300</b>	20	305		2000	3.250	2		m
<b>HDDI400</b>	20	405		2000	4.250	2		m
<b>HDDI500</b>	20	505		2000	5.250	2		m
<b>HDDI600</b>	20	605		2000	6.400	2		m

Fix with:

- <b>DKI</b>	-	-	-	-	0.030	20	X	piece
--------------	---	---	---	---	-------	----	---	-------

Covers of width > 400 mm are delivered with diagonal reinforcements.



# DKI

## Cover clamp for HDKLIIE



Number: 2 pieces per meter.

Standard finish	Pre-galvanised
Optional finish PE	Coating

HD	Reference	↓ mm	↔ mm	↔ ← mm	↔ mm	kg/ piece	📦	Stock	Unit
-	<b>DKI</b>	-			-	0.030	20	X	piece

To order per full packaging.  
Included: Bolt B6.20 and giant washer CRO6.

# HDKLIB

## Horizontal bend for HDKLIIE



Radius	300 mm
Standard finish	Hot-dip galvanised
Optional finish PE	Duplex system

Reference	↓ mm	↔ mm	↔ ← mm	↔ mm	kg/ piece	📦	Stock	Unit
<b>HDKLIB200</b>	80	200		-	3.950	1	X	piece
<b>HDKLIB300</b>	80	300		-	4.850	1	X	piece
<b>HDKLIB400</b>	80	400		-	5.800	1	X	piece
<b>HDKLIB500</b>	80	500		-	6.900	1	X	piece
<b>HDKLIB600</b>	80	600		-	7.600	1	X	piece

Fix with:									
<b>HDLVIE</b>	88	-	-	220	0.760	10	X	piece	

# HDDIB

## Industrial cover for horizontal bend 90°



Radius	300 mm
Standard finish	Hot-dip galvanised
Optional finish PE	Duplex system

Reference	↓ mm	↔ mm	↔ ← mm	↔ mm	kg/ piece	📦	Stock	Unit
<b>HDDIB200</b>	20	205		-	1.783	1	X	piece
<b>HDDIB300</b>	20	305		-	2.865	1	X	piece
<b>HDDIB400</b>	20	405		-	4.101	1	X	piece
<b>HDDIB500</b>	20	505		-	5.491	1	X	piece
<b>HDDIB600</b>	20	605		-	7.035	1	X	piece

Fix with:									
-	<b>DKI</b>	-	-	-	0.030	20	X	piece	

# HDKLIT

## T-piece for HDKLIE



Radius	300 mm
Standard finish	Hot-dip galvanised
Optional finish PE	Duplex system

W	200	300	400	500	600
A	1100	1200	1300	1400	1500

Reference	↑ mm	↔ mm	→ ← mm	↔ mm	kg/ piece	📦	Stock	Unit
<b>HDKLIT200</b>	80	200		-	6.200	1	X	piece
<b>HDKLIT300</b>	80	300		-	6.800	1	X	piece
<b>HDKLIT400</b>	80	400		-	7.900	1	X	piece
<b>HDKLIT500</b>	80	500		-	8.400	1	X	piece
<b>HDKLIT600</b>	80	600		-	10.300	1	X	piece

Fix with:

<b>HDLVIE</b>	88	-	-	220	0.760	10	X	piece
---------------	----	---	---	-----	-------	----	---	-------

The technical information for this product can be found at the end of this chapter.

# HDDIT

## Industrial cover for T-piece



Radius	300 mm
Standard finish	Hot-dip galvanised
Optional finish PE	Duplex system

Reference	↑ mm	↔ mm	→ ← mm	↔ mm	kg/ piece	📦	Stock	Unit
<b>HDDIT200</b>	20	205		-	3.900	1	X	piece
<b>HDDIT300</b>	20	305		-	5.750	1	X	piece
<b>HDDIT400</b>	20	405		-	7.700	1	X	piece
<b>HDDIT500</b>	20	505		-	10.100	1	X	piece
<b>HDDIT600</b>	20	605		-	13.000	1	X	piece

Fix with:

- <b>DKI</b>	-	-	-	-	0.030	20	X	piece
--------------	---	---	---	---	-------	----	---	-------

# HDKLIX

Cross-over for HDKLIE



Radius	300 mm
Standard finish	Hot-dip galvanised
Optional finish PE	Duplex system

W	200	300	400	500	600
A	1100	1200	1300	1400	1500

Reference	↓ mm	↔ mm	↔ ← mm	↔↔ mm	kg/ piece	📦	Stock	Unit
<b>HDKLIX200</b>	80	200		-	11.800	1		piece
<b>HDKLIX300</b>	80	300		-	12.800	1		piece
<b>HDKLIX400</b>	80	400		-	13.300	1		piece
<b>HDKLIX500</b>	80	500		-	15.100	1		piece
<b>HDKLIX600</b>	80	600		-	17.700	1		piece
Fix with:								
<b>HDLVIE</b>	88	-	-	220	0.760	10	X	piece

# HDKLIVSB

Flexible (rising/low) bend for HDKLIE



Standard finish	Hot-dip galvanised
Optional finish PE	Duplex system

Reference	↓ mm	↔ mm	↔ ← mm	↔↔ mm	kg/ piece	📦	Stock	Unit
<b>HDKLIVSB200</b>	80	200		-	6.190	1	X	piece
<b>HDKLIVSB300</b>	80	300		-	6.330	1	X	piece
<b>HDKLIVSB400</b>	80	400		-	6.490	1	X	piece
<b>HDKLIVSB500</b>	80	500		-	6.600	1	X	piece
<b>HDKLIVSB600</b>	80	600		-	6.680	1	X	piece

# BP

Floor plate



Standard finish	Pre-galvanised
Optional finish HD	Hot-dip galvanised
Optional finish PE	Coating

HD	Reference	↓ mm	↔ mm	↔ ← mm	↔↔ mm	kg/m	📦	Stock	Unit
HD	<b>BP200</b>	25	141		3000	1.560	3		m
HD	<b>BP300</b>	25	241		3000	2.400	3		m
HD	<b>BP400</b>	25	341		3000	3.230	3		m
HD	<b>BP500</b>	25	441		3000	4.030	3		m
HD	<b>BP600</b>	25	541		3000	4.860	3		m

Fix with:									
-	<b>HDBKID25</b>	-	-	-	-	0.030	20	X	piece

## HDABIE

### Wall support for HDKLIE



Standard finish

Hot-dip galvanised

Optional finish PE

Duplex system

Reference	↑ mm	↔ mm	→ ← mm	↔ mm	kg/ piece	📦	Stock	Unit
<b>HDABIE200</b>	87	200		-	0.590	25	X	piece
<b>HDABIE300</b>	87	300		-	0.650	25	X	piece
<b>HDABIE400</b>	87	400		-	0.730	25	X	piece
<b>HDABIE500</b>	87	500		-	0.800	25	X	piece
<b>HDABIE600</b>	87	600		-	0.870	25	X	piece

Included: TIM12, 2x HDM12 and 2x HDP1458.

## HDLVIRR

### Reducing plate right for HDKLIE



Slides over the side wall

Standard finish

Hot-dip galvanised

Optional finish PE

Duplex system

Reference	↑ mm	↔ mm	→ ← mm	↔ mm	kg/ piece	📦	Stock	Unit
<b>HDLVIRR100</b>	100	140		-	1.100	2		piece
<b>HDLVIRR200</b>	100	240		-	1.330	2		piece
<b>HDLVIRR300</b>	100	340		-	1.350	2		piece
<b>HDLVIRR400</b>	100	440		-	1.600	2		piece

To order per full packaging.  
Premounted with tapbolt 6x12.

## HDLVIRL

### Reducing plate left for HDKLIE



Slides over the side wall

Standard finish

Hot-dip galvanised

Optional finish PE

Duplex system

Reference	↑ mm	↔ mm	→ ← mm	↔ mm	kg/ piece	📦	Stock	Unit
<b>HDLVIRL100</b>	100	140		-	1.100	2		piece
<b>HDLVIRL200</b>	100	240		-	1.330	2		piece
<b>HDLVIRL300</b>	100	340		-	1.350	2		piece
<b>HDLVIRL400</b>	100	440		-	1.600	2		piece

To order per full packaging.  
Premounted with tapbolt 6x12.

# HDAHIE

## Branch off bracket for HDKLIE



Applied in case of hooked branching.  
Slides over the side wall.

Standard finish	Hot-dip galvanised
Optional finish PE	Duplex system

Reference	↓ mm	↔ mm	↔ ← mm	↔ mm	kg/ piece	📦	Stock	Unit
<b>HDAHIE</b>	95	40		-	0.500	10	X	piece

To order per full packaging.  
Premounted with tapbolt 6x12.

# HDDSIV

## Vertical hinged joiner for HDKLIE



The hinge slides +/- 110 mm over the cable ladder.

Standard finish	Hot-dip galvanised
Optional finish PE	Duplex system

Reference	↓ mm	↔ mm	↔ ← mm	↔ mm	kg/ piece	📦	Stock	Unit
<b>HDDSIV</b>	90			-	1.040	4	X	piece

To order per full packaging.  
Premounted with tapbolt 6x12.

# HDDSIH

## Horizontal hinged joiner for HDKLIE



The hinge slides +/- 110 mm over the cable ladder.

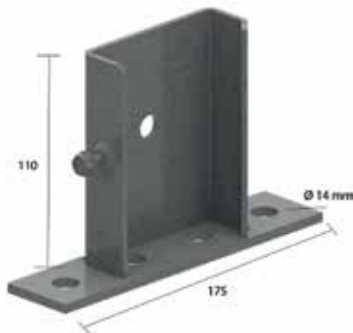
Standard finish	Hot-dip galvanised
Optional finish PE	Duplex system

Reference	↓ mm	↔ mm	↔ ← mm	↔ mm	kg/ piece	📦	Stock	Unit
<b>HDDSIH</b>	90			-	1.020	6	X	piece

To order per full packaging.  
Premounted with tapbolt 6x12.

## HDVSIE

### Floor support for HDKLIE



To mount the cable ladder vertically on the floor.  
Slides over the side wall.

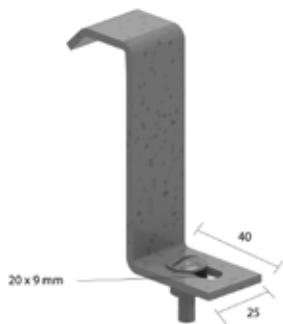
Standard finish	Hot-dip galvanised
Optional finish PE	Duplex system

Reference	↑ mm	↔ mm	→ ← mm	↔ mm	kg/ piece	📦	Stock	Unit
<b>HDVSIE</b>	115	88		-	0.640	6	X	piece

To order per full packaging.  
Premounted with tabbolt 6x12.

## HDBKIE25

### Bracket clamp for HDKLIE



To mount the cable ladder on a bracket.

Standard finish	Hot-dip galvanised
Optional finish PE	Duplex system

Reference	↑ mm	↔ mm	→ ← mm	↔ mm	kg/ piece	📦	Stock	Unit
<b>HDBKIE25</b>	83	25		-	0.090	20	X	piece

To order per full packaging.  
Included: Bolt RB6.20 and flanged nut RM6.

## HDBKIE40

### Bracket clamp for HDKLIE



Standard finish	Hot-dip galvanised
Optional finish PE	Duplex system

Reference	↑ mm	↔ mm	→ ← mm	↔ mm	kg/ piece	📦	Stock	Unit
<b>HDBKIE40</b>	83	40		-	0.130	20	X	piece

To order per full packaging.  
To order separately:  
fixing to brackets: VMK6.20  
fixing to mounting profile: B6.20 + CRO6 + PNP06

# HDBKID25

## Bracket clamp SLOS for HDKLIE



To mount a partition on the cable ladder.

Standard finish	Hot-dip galvanised
Optional finish PE	Duplex system

Reference	↓ mm	↔ mm	↔ mm	↔ mm	kg/ piece	📦	Stock	Unit
<b>HDBKID25</b>	-			-	0.030	20	X	piece

To order per full packaging.  
Included: Bolt RB6.20 and flanged nut RM6.

# DOPKLIE

## End cap for HDKLIE



Slides over the end of the ladder.

Color	yellow
Standard finish	Polyvinyl chloride

HD	Reference	↓ mm	↔ mm	↔ mm	↔ mm	kg/ piece	📦	Stock	Unit
-	<b>DOPKLIE</b>	80			-	0.020	20	X	piece

To order per full packaging.

# SLOS

## Bolt-in partition



Standard finish	Pre-galvanised
Optional finish HD	Hot-dip galvanised
Optional finish PE	Coating

HD	Reference	↓ mm	↔ mm	↔ mm	↔ mm	kg/m	📦	Stock	Unit
HD	<b>SLOS35</b>	35			3000	0.330	150	X	m
HD	<b>SLOS60</b>	60			3000	0.511	120	X	m

Fix with:									
<b>HDBKID25</b>	-	-	-	-	-	0.030	20	X	piece

Fixing set: 1 per meter.  
SLOS60 not to be used with cover HDDI.

# HDLVIE

## Joiner for HDKLIE



Standard finish

Hot-dip galvanised

Optional finish PE

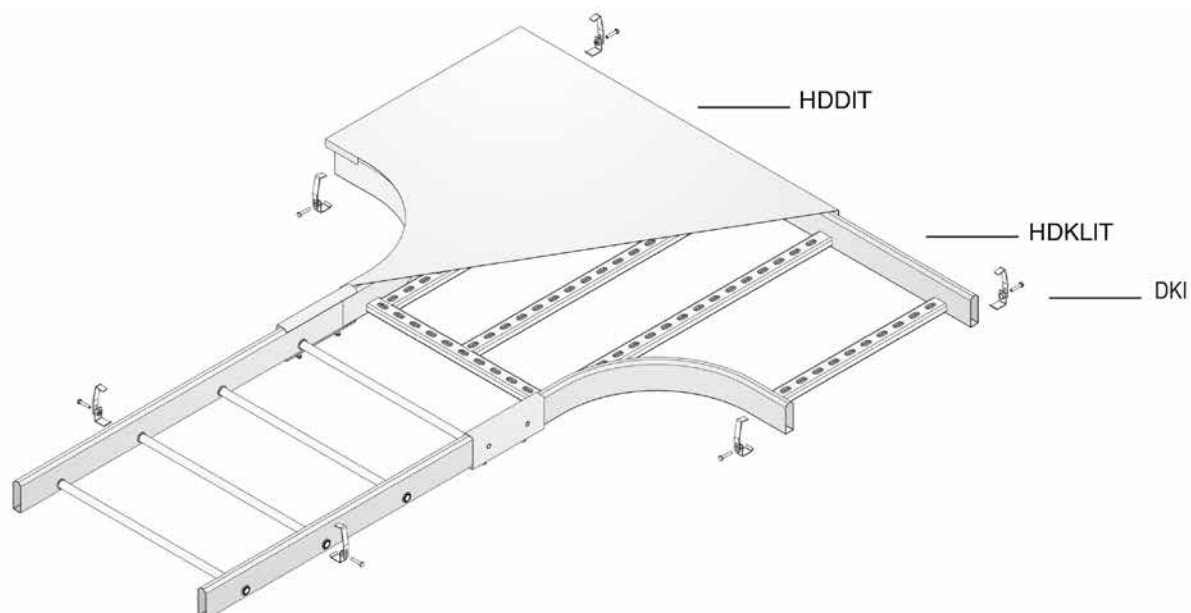
Duplex system

Reference	↑ mm	↔ mm	↔ mm	↔ mm	kg/ piece	📦	Stock	Unit
<b>HDLVIE</b>	88			220	0.760	10	X	piece

To order per full packaging.  
These are premounted with tapbolt 6x12.

# HDKLIT

## Technical information

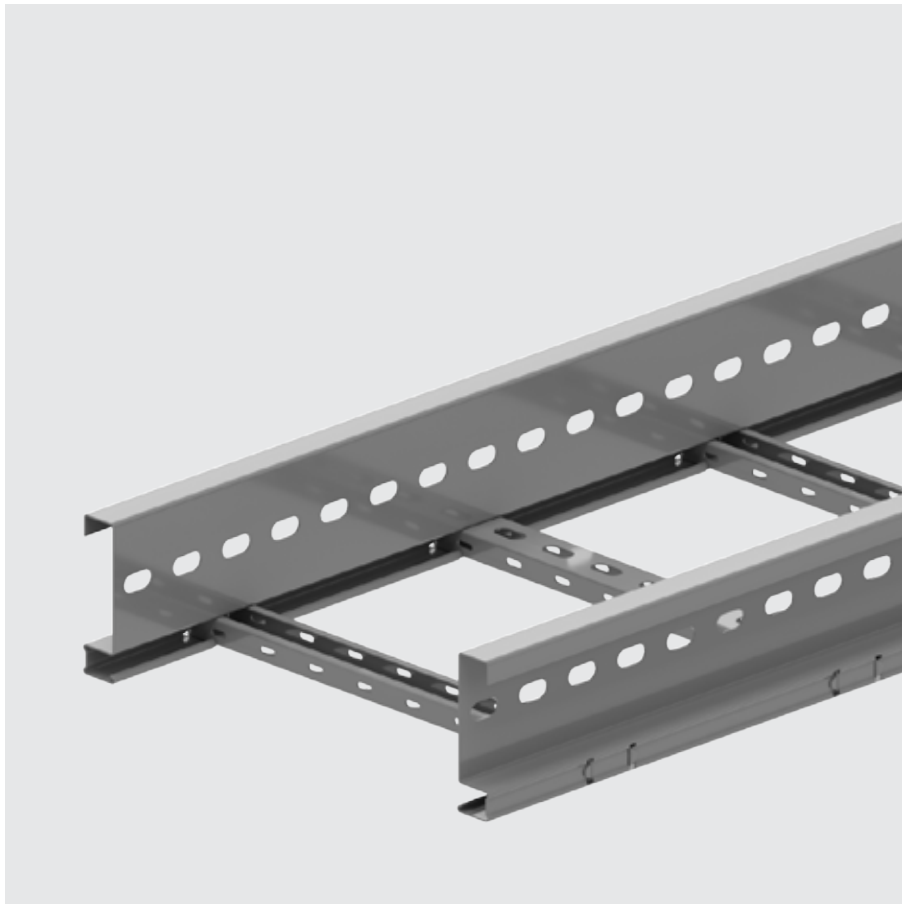






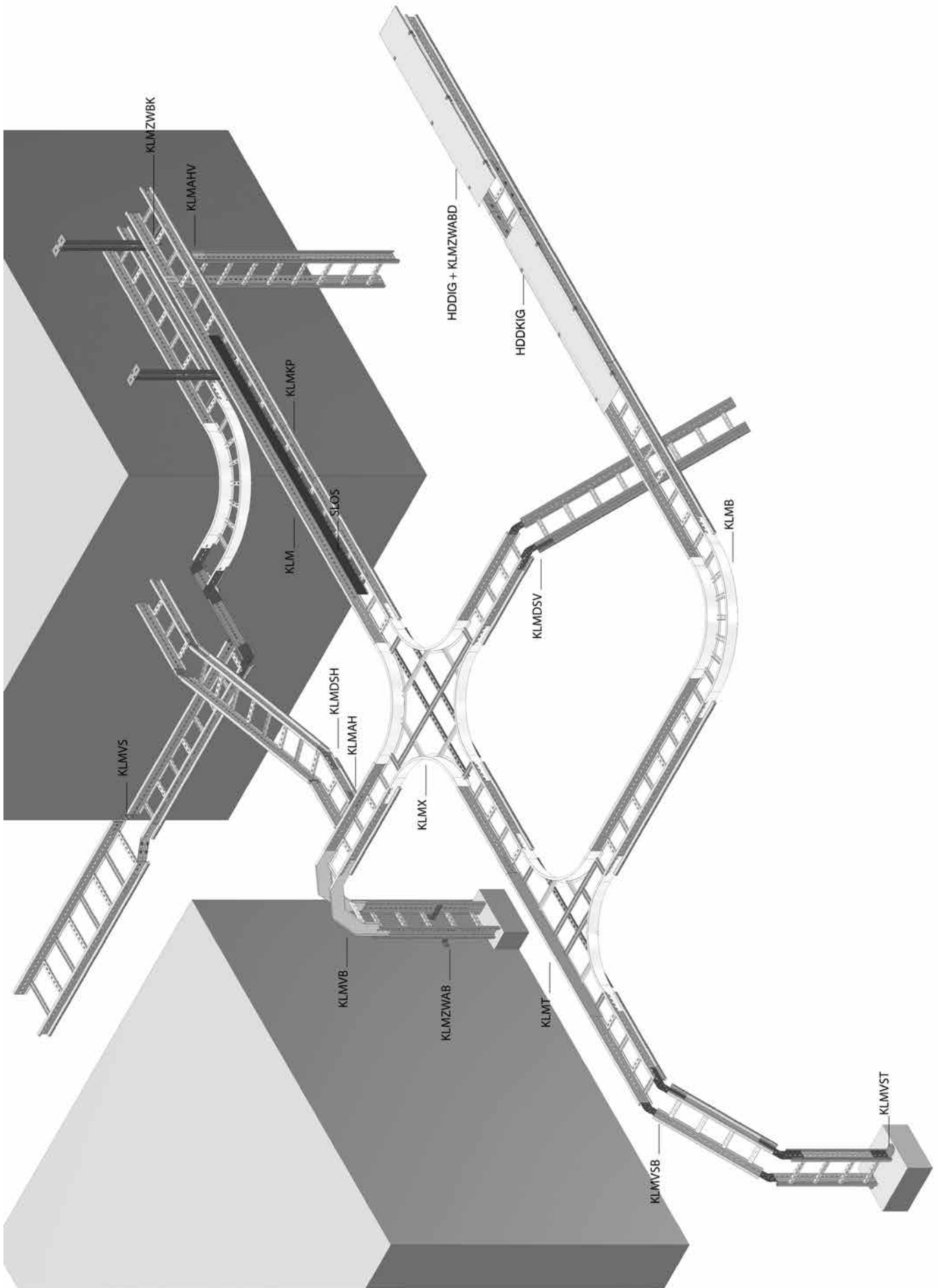


4 Cable ladders



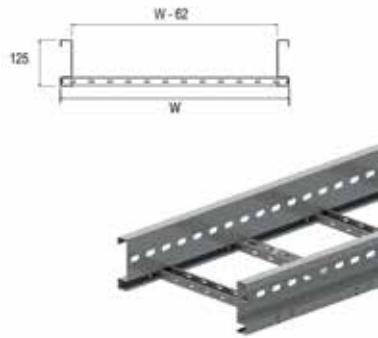
KLM





# KLM

## Cable ladder height 125



Cable ladder for large support distances up to 8 metres  
Perforated C rungs 41x21

Usable inner height	102 mm
Rung distance	250 mm (to order : 100 mm - 300 mm, increments of 50 mm)
To order	length 3000 mm or 9000 mm
To order	width 700 - 1200 mm (increments of 100 mm)
Standard finish	Pre-galvanised
Optional finish HD	Hot-dip galvanised
Optional finish PE	Coating

HD	Reference	↑ mm	↔ mm	→ ← mm	↔ mm	kg/m	📦	Stock	Unit
HD	<b>KLM200</b>	125	218	1.50	6000	6.000	48		m
HD	<b>KLM300</b>	125	318	1.50	6000	6.320	48		m
HD	<b>KLM400</b>	125	418	1.50	6000	6.640	48		m
HD	<b>KLM500</b>	125	518	1.50	6000	6.960	48		m
HD	<b>KLM600</b>	125	618	1.50	6000	7.280	48		m
HD	<b>KLM800</b>	125	818	1.50	6000	7.980	48		m
HD	<b>KLM1000</b>	125	1018	1.50	6000	8.620	48		m

Fix with:

HD	<b>KLMKP</b>	97	25	-	600	1.260	6		piece
HD	<b>RBK12.20</b>	-	-	M12	20	0.052	100	X	piece
HD	<b>RM12</b>	-	-	M12	-	0.021	100		piece

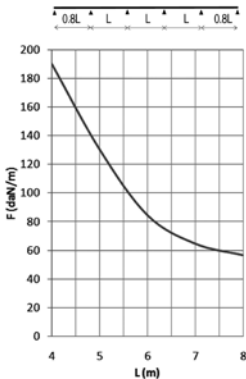
### LOAD DIAGRAM

This diagram illustrates the permissible uniformly distributed horizontal loads applied to multiple supports. They comply with IEC 61537 with connection in the centre of the span and the end span = 0,8x the span.

F = max. admissible load (daN/m)

L = support distance (m)

Max. deflection (m) = L/200



### CHARACTERISTICS

- strong
- useable inner height 102 mm, ideal for large diameter cables
- no further coupling holes are required if the cable ladder is cut
- no joiners are required to attach accessories such as bends, tees etc.
- rungs are perforated to enable efficient attachment of cables
- partition (SLOS85) can be fixed to the cable ladder with a sliding nut (PNP06) and pan head bolt (RB6.20).

### TECHNICAL INFORMATION

- Side walls are constructed from S profile with a return flange and are continuously perforated
- C-profile rungs are fixed at 250 mm intervals.
- rungs are mechanically attached to the side wall of the cable ladder.
- rungs are alternately placed with openings upwards and downwards

# HDDIG

## Industrial cover



Standard finish	Hot-dip galvanised
Optional finish PE	Duplex system

Reference	↑ mm	↔ mm	→  ← mm	↔ mm	kg/m	⊞	Stock	Unit
<b>HDDIG200</b>	15	223	1.00	2000	1.850	2		m
<b>HDDIG300</b>	15	323	1.00	2000	2.650	2		m
<b>HDDIG400</b>	15	423	1.25	2000	4.100	2		m
<b>HDDIG500</b>	15	523	1.25	2000	5.050	2		m
<b>HDDIG600</b>	15	623	1.25	2000	5.950	2		m

Fix with:									
<b>HDDKIG</b>	-	-	-	-	0.030	20	X	piece	

Covers with width > 400 mm are delivered with diagonal reinforcements.

# HDDKIG

## Cover clamp



Number: 2 pieces per metre.

Standard finish	Hot-dip galvanised
Optional finish PE	Duplex system

Reference	↑ mm	↔ mm	→  ← mm	↔ mm	kg/ piece	⊞	Stock	Unit
<b>HDDKIG</b>	-			-	0.030	20	X	piece

The technical information for this product can be found at the end of this chapter.  
To order per full packaging.  
Included: Bolt HDB6.30.

# KLMZWABD

## Stand-off bracket for cover KLM/KLZ/KLW



Number: 2 pieces per metre.

Standard finish	Pre-galvanised
Optional finish HD	Hot-dip galvanised
Optional finish PE	Coating

HD	Reference	↑ mm	↔ mm	→  ← mm	↔ mm	kg/ piece	⊞	Stock	Unit
HD	<b>KLMZWABD</b>	155	40		34	0.187	4		piece

The technical information for this product can be found at the end of this chapter.  
To order per full packaging.

## KLMB

### Horizontal bend for KLM



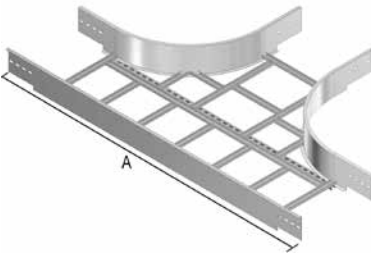
Radius	600 mm
Standard finish	Pre-galvanised
Optional finish HD	Hot-dip galvanised
Optional finish PE	Coating

HD	Reference	↑ mm	↔ mm	→ ← mm	↔ mm	kg/ piece	📦	Stock	Unit
HD	<b>KLMB200</b>	125	208		-	6.719	1		piece
HD	<b>KLMB300</b>	125	308		-	7.592	1		piece
HD	<b>KLMB400</b>	125	408		-	8.464	1		piece
HD	<b>KLMB500</b>	125	508		-	9.336	1		piece
HD	<b>KLMB600</b>	125	608		-	10.210	1		piece
Fix with:									
HD	<b>RBK12.20</b>	-	-	M12	20	0.052	100	X	piece
HD	<b>RM12</b>	-	-	M12	-	0.021	100		piece

Minimum number bolts and nuts : 8 pieces.

## KLMT

### T-piece for KLM



Radius	600 mm
Standard finish	Pre-galvanised
Optional finish HD	Hot-dip galvanised
Optional finish PE	Coating

W (mm)	200	300	400	500	600
A (mm)	1962	2062	2162	2262	2362

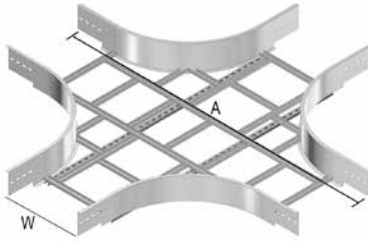
HD	Reference	↑ mm	↔ mm	→ ← mm	↔ mm	kg/ piece	📦	Stock	Unit
HD	<b>KLMT200</b>	125	208		-	11.506	1		piece
HD	<b>KLMT300</b>	125	308		-	12.433	1		piece
HD	<b>KLMT400</b>	125	408		-	13.363	1		piece
HD	<b>KLMT500</b>	125	508		-	14.288	1		piece
HD	<b>KLMT600</b>	125	608		-	15.215	1		piece
Fix with:									
HD	<b>RBK12.20</b>	-	-	M12	20	0.052	100	X	piece
HD	<b>RM12</b>	-	-	M12	-	0.021	100		piece

Minimum number bolts and nuts : 12 pieces.



# KLMX

## Cross-over for KLM



Radius	600 mm
Standard finish	Pre-galvanised
Optional finish HD	Hot-dip galvanised
Optional finish PE	Coating

W (mm)	200	300	400	500	600
A (mm)	1962	2062	2162	2262	2362

HD	Reference	↓ mm	↔ mm	↔ mm	↔ mm	kg/ piece	📦	Stock	Unit
HD	<b>KLMX200</b>	125	208		-	13.339	1		piece
HD	<b>KLMX300</b>	125	308		-	16.184	1		piece
HD	<b>KLMX400</b>	125	408		-	17.302	1		piece
HD	<b>KLMX500</b>	125	508		-	18.371	1		piece
HD	<b>KLMX600</b>	125	608		-	19.439	1		piece

Fix with:

HD	<b>RBK12.20</b>	-	-	M12	20	0.052	100	X	piece
HD	<b>RM12</b>	-	-	M12	-	0.021	100		piece

Minimum number bolts and nuts: 16 pieces.

# KLMVB

## External riser for KLM



Radius	600 mm
Standard finish	Pre-galvanised
Optional finish HD	Hot-dip galvanised
Optional finish PE	Coating

HD	Reference	↓ mm	↔ mm	↔ mm	↔ mm	kg/ piece	📦	Stock	Unit
HD	<b>KLMVB200</b>	125	208		-	4.800	1		piece
HD	<b>KLMVB300</b>	125	308		-	5.130	1		piece
HD	<b>KLMVB400</b>	125	408		-	5.460	1		piece
HD	<b>KLMVB500</b>	125	508		-	5.799	1		piece
HD	<b>KLMVB600</b>	125	608		-	6.120	1		piece

Fix with:

HD	<b>RBK12.20</b>	-	-	M12	20	0.052	100	X	piece
HD	<b>RM12</b>	-	-	M12	-	0.021	100		piece

Minimum number bolts and nuts: 8 pieces.

## KLMSB

### Internal riser for KLM



Radius	600 mm
Standard finish	Pre-galvanised
Optional finish HD	Hot-dip galvanised
Optional finish PE	Coating

HD	Reference	↕ mm	↔ mm	↔ mm	↔ mm	kg/ piece	📦	Stock	Unit
HD	<b>KLMSB200</b>	125	208		-	5.320	1		piece
HD	<b>KLMSB300</b>	125	308		-	5.650	1		piece
HD	<b>KLMSB400</b>	125	408		-	5.980	1		piece
HD	<b>KLMSB500</b>	125	508		-	6.310	1		piece
HD	<b>KLMSB600</b>	125	608		-	6.640	1		piece

Fix with:

HD	<b>RBK12.20</b>	-	-	M12	20	0.052	100	X	piece
HD	<b>RM12</b>	-	-	M12	-	0.021	100		piece

Minimum number bolts and nuts : 8 pieces.

## KLMVSB

### Flexible (rising / low) bend for KLM



Standard finish	Pre-galvanised
Optional finish HD	Hot-dip galvanised
Optional finish PE	Coating

HD	Reference	↕ mm	↔ mm	↔ mm	↔ mm	kg/ piece	📦	Stock	Unit
HD	<b>KLMVSB200</b>	125	218		1135	9.300	1		piece
HD	<b>KLMVSB300</b>	125	318		1135	9.620	1		piece
HD	<b>KLMVSB400</b>	125	418		1135	9.940	1		piece
HD	<b>KLMVSB500</b>	125	518		1135	10.260	1		piece
HD	<b>KLMVSB600</b>	125	618		1135	10.580	1		piece

Fix with:

HD	<b>RBK12.20</b>	-	-	M12	20	0.052	100	X	piece
HD	<b>RM12</b>	-	-	M12	-	0.021	100		piece

Minimum number bolts and nuts: 8 pieces.

# KLMAH

## Horizontal branch hook for KLM



Standard finish	Pre-galvanised
Optional finish HD	Hot-dip galvanised
Optional finish PE	Coating

HD	Reference	↓ mm	↔ mm	→ ← mm	↔ mm	kg/ piece	📦	Stock	Unit
HD	<b>KLMAH</b>	96	169		125	0.420	2		piece
Fix with:									
HD	<b>RBK12.20</b>	-	-	M12	20	0.052	100	X	piece
HD	<b>RM12</b>	-	-	M12	-	0.021	100		piece

To order per full packaging.  
Minimum number bolts and nuts: 4 pieces.

# KLMAHV

## Vertikal branch hook for KLM



Standard finish	Pre-galvanised
Optional finish HD	Hot-dip galvanised
Optional finish PE	Coating

HD	Reference	↓ mm	↔ mm	→ ← mm	↔ mm	kg/ piece	📦	Stock	Unit
HD	<b>KLMAHV</b>	96	27		265	0.420	2		piece
Fix with:									
HD	<b>RBK12.20</b>	-	-	M12	20	0.052	100	X	piece
HD	<b>RM12</b>	-	-	M12	-	0.021	100		piece

To order per full packaging.  
Minimum number bolts and nuts: 3 pieces.

# KLMDSH

## Horizontal hinged joiner for KLM



Slides in the C-opening of the sidewalls  
Premounted

Standard finish	Pre-galvanised
Optional finish HD	Hot-dip galvanised
Optional finish PE	Coating

HD	Reference	↓ mm	↔ mm	→ ← mm	↔ mm	kg/ piece	📦	Stock	Unit
HD	<b>KLMDSH</b>	96	25		330	0.686	2		piece
Fix with:									
HD	<b>RBK12.20</b>	-	-	M12	20	0.052	100	X	piece
HD	<b>RM12</b>	-	-	M12	-	0.021	100		piece

To order per full packaging.  
Minimum number bolts and nuts: 4 pieces.

## KLMDSV

### Vertical hinged joiner for KLM



Standard finish	Pre-galvanised
Optional finish HD	Hot-dip galvanised
Optional finish PE	Coating

HD	Reference	↑ mm	↔ mm	→ ← mm	↔ mm	kg/ piece	📦	Stock	Unit
HD	<b>KLMDSV</b>	96	20		434	0.820	2		piece
Fix with:									
HD	<b>RBK12.20</b>	-	-	M12	20	0.052	100	X	piece
HD	<b>RM12</b>	-	-	M12	-	0.021	100		piece

To order per full packaging.  
Minimum number bolts and nuts: 4 pieces.

## KL MVST

### Floor Support for KLM



Standard finish	Pre-galvanised
Optional finish HD	Hot-dip galvanised
Optional finish PE	Coating

HD	Reference	↑ mm	↔ mm	→ ← mm	↔ mm	kg/ piece	📦	Stock	Unit
HD	<b>KL MVST</b>	96	114		150	0.410	2		piece
Fix with:									
HD	<b>RBK12.20</b>	-	-	M12	20	0.052	100	X	piece
HD	<b>RM12</b>	-	-	M12	-	0.021	100		piece

To order per full packaging.  
Minimum number bolts and nuts: 2 pieces.

## KL MVS

### Reducing plate for KLM



Max. reduction of 300mm	
Standard finish	Pre-galvanised
Optional finish HD	Hot-dip galvanised
Optional finish PE	Coating

HD	Reference	↑ mm	↔ mm	→ ← mm	↔ mm	kg/ piece	📦	Stock	Unit
HD	<b>KL MVS</b>	95	20		500	1.260	1		piece
Fix with:									
HD	<b>RBK12.20</b>	-	-	M12	20	0.052	100	X	piece
HD	<b>RM12</b>	-	-	M12	-	0.021	100		piece

Minimum number bolts and nuts: 4 pieces.

# KLMZWAB

## Stand-off bracket for KLM/KLZ/KLW



Used for vertical mounting of the cable ladder.

Standard finish	Electro zinc-plated
Optional finish HD	Hot-dip galvanised
Optional finish PE	Coating

HD	Reference	↑ mm	↔ mm	→  ← mm	↔ mm	kg/ piece	📦	Stock	Unit
HD	<b>KLMZWAB</b>	170	50		61	0.304	4		piece

Fix with:									
HD	<b>RBK12.20</b>	-	-	M12	20	0.052	100	X	piece
HD	<b>RM12</b>	-	-	M12	-	0.021	100		piece

To order per full packaging.  
Minimum number bolts and nuts: 1 piece.

# KLMZWBK

## Bracket clamp



For fixing cable ladder to a wall bracket.  
2 pieces per bracket.

Standard finish	Pre-galvanised
Optional finish HD	Hot-dip galvanised
Optional finish PE	Coating

HD	Reference	↑ mm	↔ mm	→  ← mm	↔ mm	kg/ piece	📦	Stock	Unit
HD	<b>KLMZWBK25</b>	20	25		-	0.051	20	X	piece
HD	<b>KLMZWBK40</b>	20	40		-	0.125	20	X	piece

The technical information for this product can be found at the end of this chapter.

To order per full packaging.  
KLMZWBK25: Bolt B6.20 and nuts RM6 included.  
KLMZWBK40: Bolt B8.20 and nuts PNP08 included.

- 25 for cantilevers
- 40 for profiles 41

# DOPKLM

## End cap for KLM



Color	Yellow
Standard finish	Polyvinyl chloride

HD	Reference	↑ mm	↔ mm	→  ← mm	↔ mm	kg/ piece	📦	Stock	Unit
-	<b>DOPKLM</b>	125			-	0.034	12		piece

To order per full packaging.

## KLMKP

### Joiner for KLM



Standard finish

Pre-galvanised

Optional finish HD

Hot-dip galvanised

Optional finish PE

Coating

HD	Reference	↑ mm	↔ mm	→ ← mm	↔ mm	kg/ piece	📦	Stock	Unit
HD	<b>KLMKP</b>	97	25		600	1.260	6		piece

Fix with:

HD	<b>RBK12.20</b>	-	-	M12	20	0.052	100	X	piece
HD	<b>RM12</b>	-	-	M12	-	0.021	100		piece

To order per full packaging.

Minimum number bolts and nuts : 4 pieces.

## BP

### Floor plate



Standard finish

Pre-galvanised

Optional finish HD

Hot-dip galvanised

Optional finish PE

Coating

HD	Reference	↑ mm	↔ mm	→ ← mm	↔ mm	kg/m	📦	Stock	Unit
HD	<b>BP200</b>	25	141		3000	1.560	3		m
HD	<b>BP300</b>	25	241		3000	2.400	3		m
HD	<b>BP400</b>	25	341		3000	3.230	3		m
HD	<b>BP500</b>	25	441		3000	4.030	3		m
HD	<b>BP600</b>	25	541		3000	4.860	3		m

Fix with:

HD	<b>RB6.20</b>	-	-	M6	20	0.006	100		piece
-	<b>PNS06</b>	-	-	-	-	0.031	100	X	piece

## SLOS

### Bolt-in partition



Standard finish

Pre-galvanised

Optional finish HD

Hot-dip galvanised

Optional finish PE

Coating

HD	Reference	↑ mm	↔ mm	→ ← mm	↔ mm	kg/m	📦	Stock	Unit
HD	<b>SLOS85</b>	85			3000	0.680	60	X	m

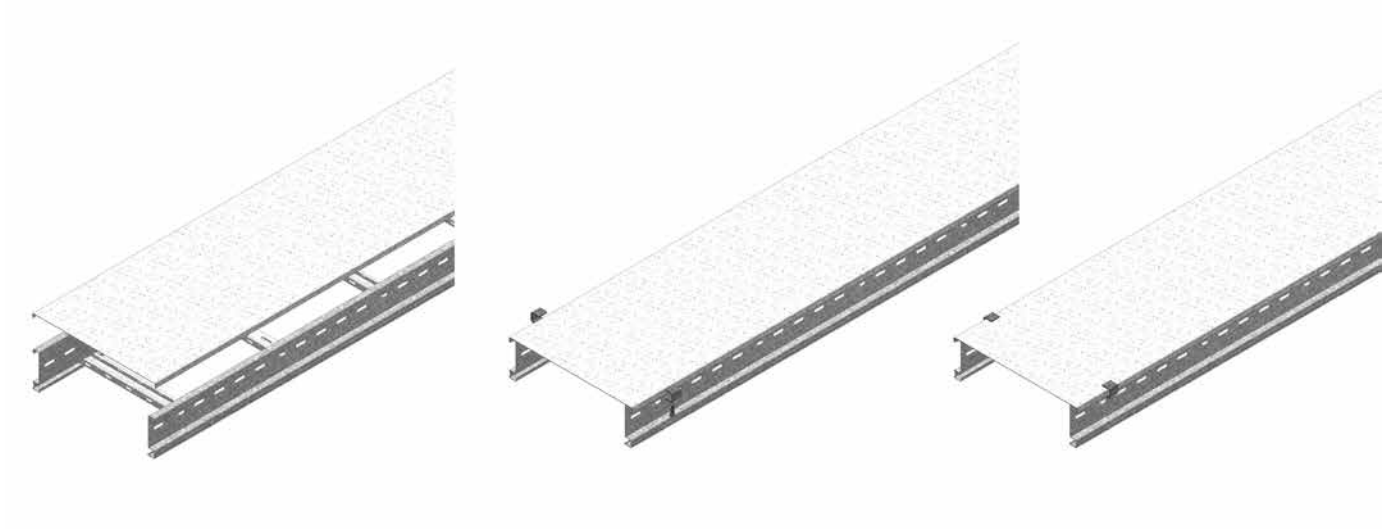
Fix with:

HD	<b>RB6.20</b>	-	-	M6	20	0.006	100		piece
-	<b>PNP06</b>	-	-	-	-	0.024	100	X	piece

Fixing set: 1 per metre.

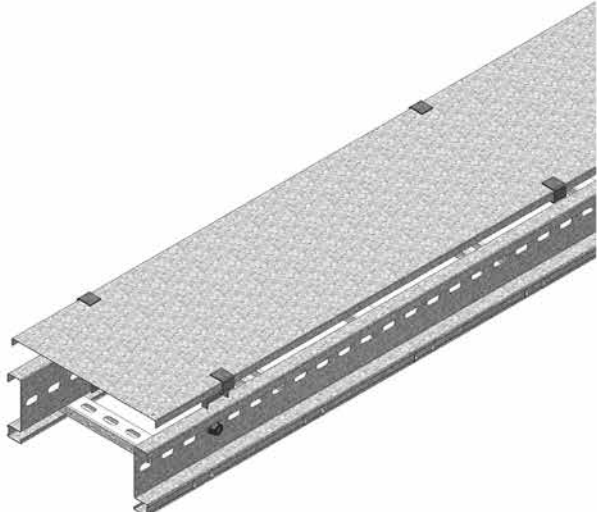
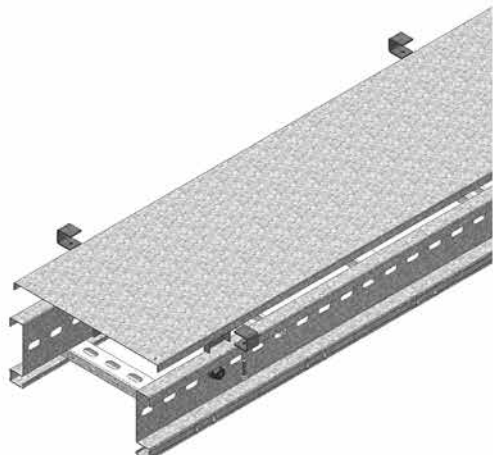
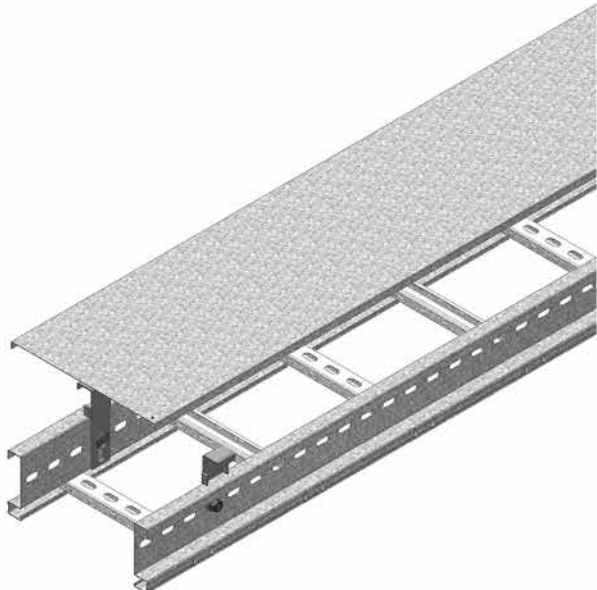
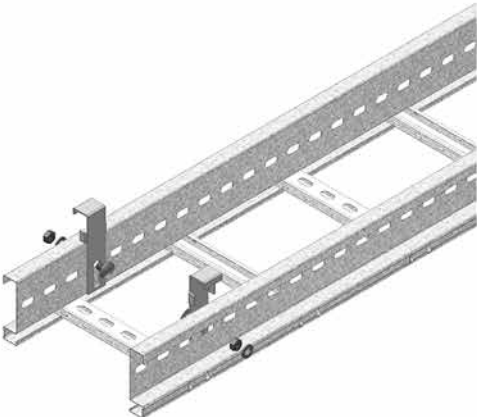
# HDDKIG

## Technical information



# KLMZWABD

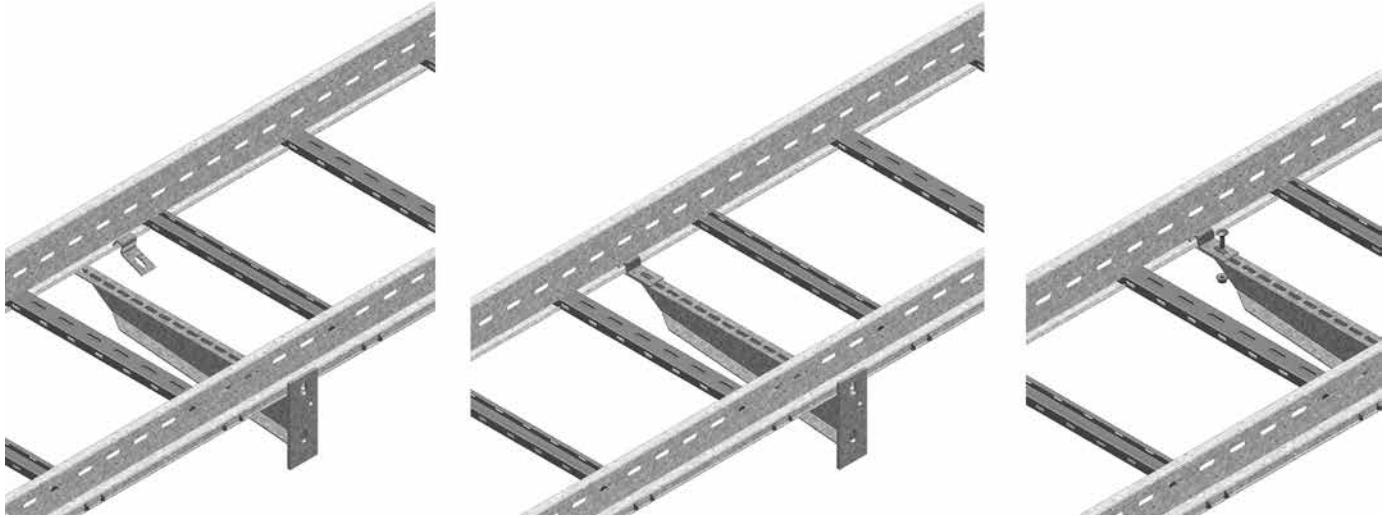
## Technical information





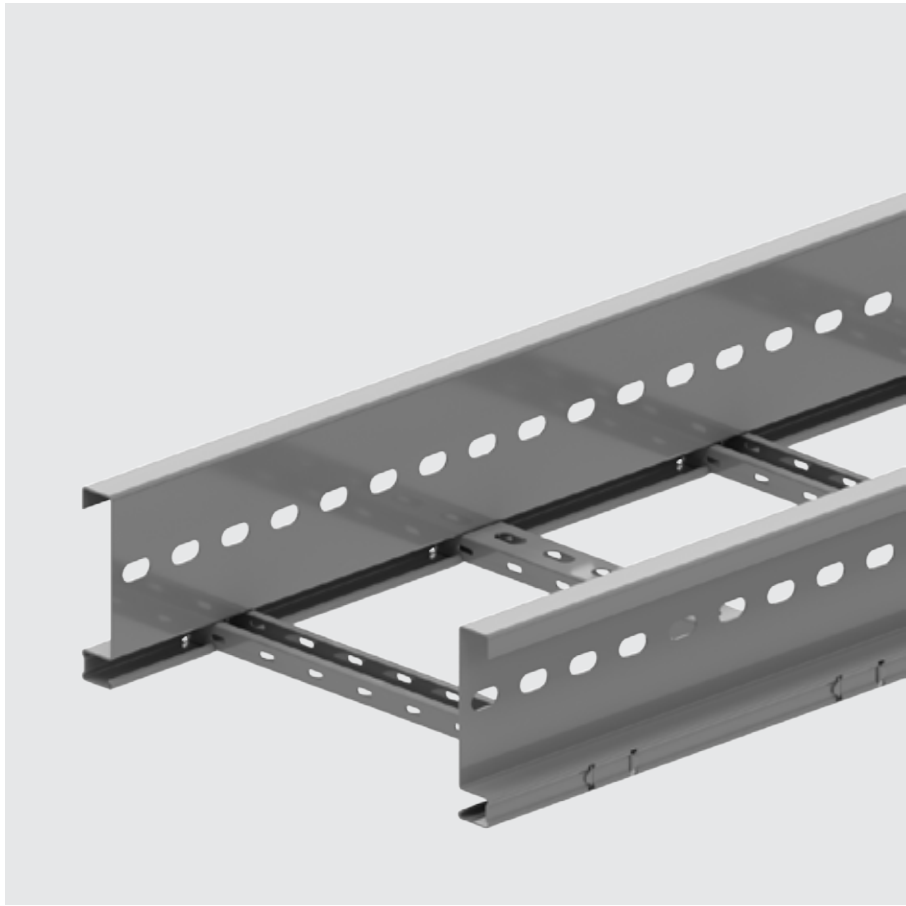
# KLMZWBK

## Technical information

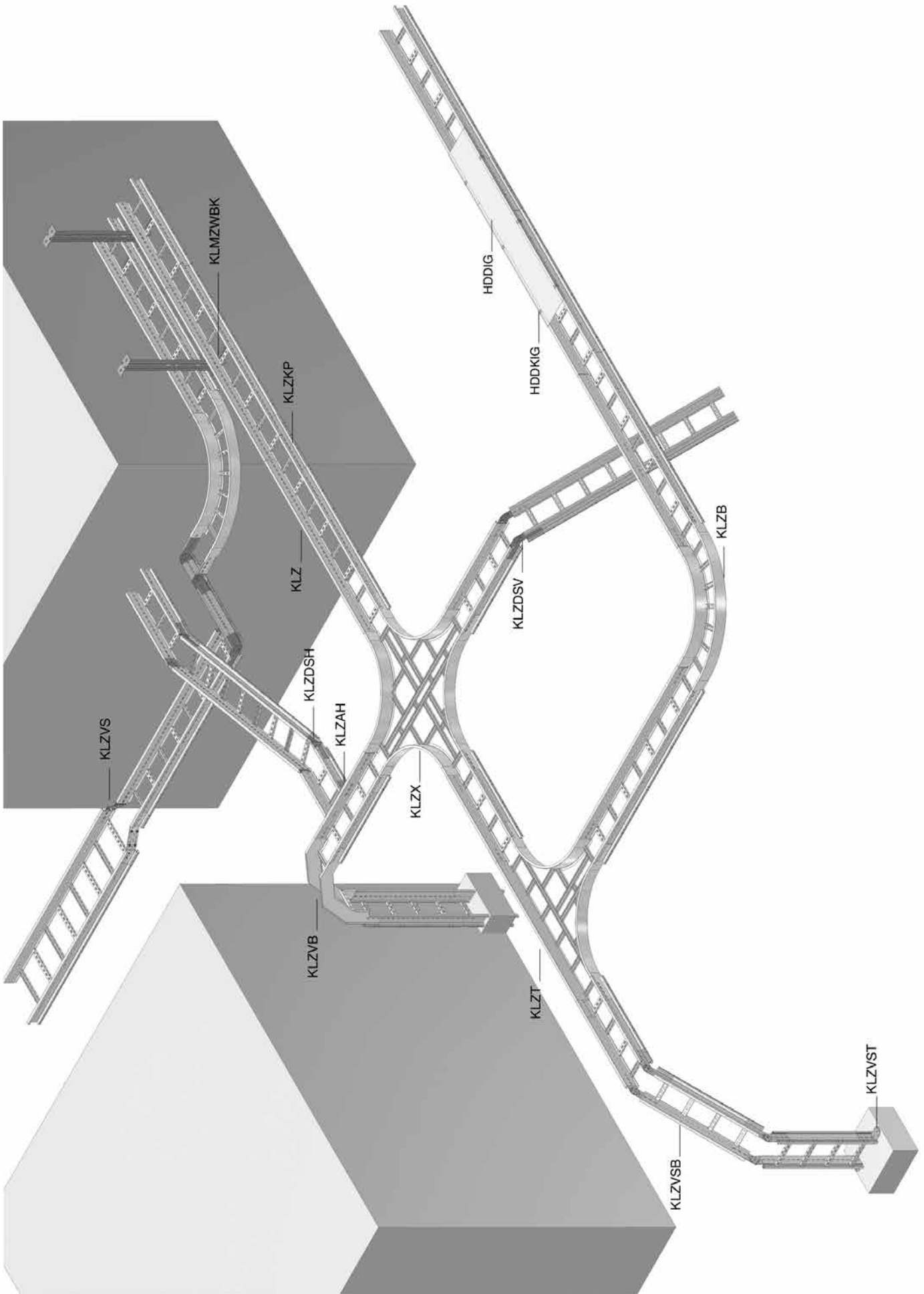




4 Cable ladders

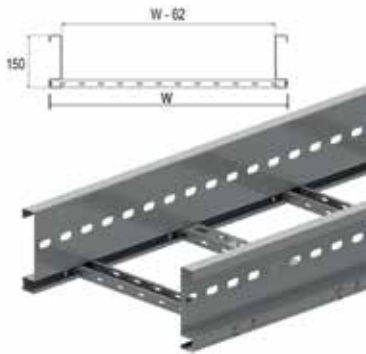


KLZ



# KLZ

## Cable ladder height 150



Cable ladder for large support distances up to 8 metres  
Perforated C rungs 41x21

Usable inner height	127 mm
Rung distance	250 mm (to order : 100 mm - 300 mm, increments of 50 mm)
To order	length 3000 mm or 9000 mm
To order	width 700 - 1200 mm (increments of 100 mm)
Standard finish	Pre-galvanised
Optional finish HD	Hot-dip galvanised
Optional finish PE	Coating

HD	Reference	↑ mm	↔ mm	→  ← mm	↔ mm	kg/m	⊞	Stock	Unit
HD	<b>KLZ200</b>	150	218	2.00	6000	7.520	48		m
HD	<b>KLZ300</b>	150	318	2.00	6000	7.840	48		m
HD	<b>KLZ400</b>	150	418	2.00	6000	8.160	48		m
HD	<b>KLZ500</b>	150	518	2.00	6000	8.480	48		m
HD	<b>KLZ600</b>	150	618	2.00	6000	8.810	48		m
HD	<b>KLZ800</b>	150	818	2.00	6000	9.950	48		m
HD	<b>KLZ1000</b>	150	1018	2.00	6000	10.140	48		m

Fix with:

HD	<b>KLZKP</b>	121	25	-	600	1.490	6		piece
HD	<b>RBK12.20</b>	-	-	M12	20	0.052	100	X	piece
HD	<b>RM12</b>	-	-	M12	-	0.021	100		piece

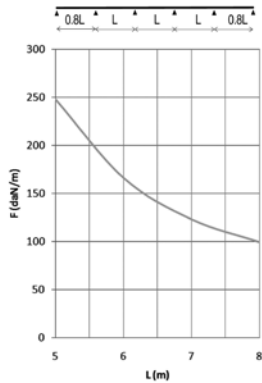
### LOAD DIAGRAM

This diagram illustrates the permissible uniformly distributed horizontal loads applied to multiple supports. They comply with IEC 61537 with connection in the centre of the span and the end span = 0,8x the span.

F = max. admissible load (daN/m)

L = support distance (m)

Max. deflection (m) = L/200



### CHARACTERISTICS

- strong
- usable inner height 127 mm, ideal for large diameter cables
- no further coupling holes are required if the cable ladder is cut
- no joiners are required to attach accessories such as bends, tees etc.
- rungs are perforated to enable efficient attachment of cables
- partition (SLOS110) can be fixed to the cable ladder with a sliding nut (PNP06) and pan head bolt (RB6.20).

### TECHNICAL INFORMATION

Side walls are constructed from S profile with a return flange and are continuously perforated

- C-profile rungs are fixed at 250 mm intervals.
- rungs are mechanically attached to the side wall of the cable ladder.
- rungs are alternately placed with openings upwards and downwards.

# HDDIG

## Industrial cover



Standard finish

Hot-dip galvanised

Optional finish PE

Duplex system

Reference	↑ mm	↔ mm	→ ← mm	↔ mm	kg/m	📦	Stock	Unit
<b>HDDIG200</b>	15	223	1.00	2000	1.850	2		m
<b>HDDIG300</b>	15	323	1.00	2000	2.650	2		m
<b>HDDIG400</b>	15	423	1.25	2000	4.100	2		m
<b>HDDIG500</b>	15	523	1.25	2000	5.050	2		m
<b>HDDIG600</b>	15	623	1.25	2000	5.950	2		m

Fix with:

<b>HDDKIG</b>	-	-	-	-	0.030	20	X	piece
---------------	---	---	---	---	-------	----	---	-------

Covers with width &gt; 400 mm are delivered with diagonal reinforcements.

# HDDKIG

## Cover clamp



Number: 2 pieces per metre.

Standard finish

Hot-dip galvanised

Optional finish PE

Duplex system

Reference	↑ mm	↔ mm	→ ← mm	↔ mm	kg/ piece	📦	Stock	Unit
<b>HDDKIG</b>	-			-	0.030	20	X	piece

To order per full packaging.  
Included: Bolt HDB6.30.

# KLMZWABD

## Stand-off bracket for cover KLM/KLZ/KLW



Number: 2 pieces per metre.

Standard finish

Pre-galvanised

Optional finish HD

Hot-dip galvanised

Optional finish PE

Coating

HD	Reference	↑ mm	↔ mm	→ ← mm	↔ mm	kg/ piece	📦	Stock	Unit
HD	<b>KLMZWABD</b>	155	40		34	0.187	4		piece

Fix with:

HD	<b>RBK12.20</b>	-	-	M12	20	0.052	100	X	piece
HD	<b>RM12</b>	-	-	M12	-	0.021	100		piece

The technical information for this product can be found at the end of this chapter.  
To order per full packaging.

# KLZB

## Horizontal bend for KLZ



Radius	600 mm
Standard finish	Pre-galvanised
Optional finish HD	Hot-dip galvanised
Optional finish PE	Coating

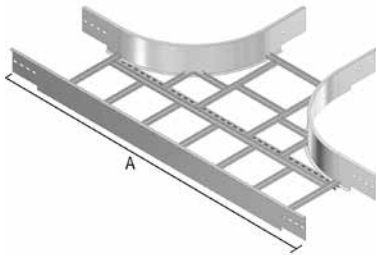
HD	Reference	↑ mm	↔ mm	↔ mm	↔ mm	kg/ piece	📦	Stock	Unit
HD	<b>KLZB200</b>	150	208		-	7.705	1		piece
HD	<b>KLZB300</b>	150	308		-	8.620	1		piece
HD	<b>KLZB400</b>	150	408		-	9.543	1		piece
HD	<b>KLZB500</b>	150	508		-	10.461	1		piece
HD	<b>KLZB600</b>	150	608		-	11.381	1		piece

Fix with:									
HD	<b>RBK12.20</b>	-	-	M12	20	0.052	100	X	piece
HD	<b>RM12</b>	-	-	M12	-	0.021	100		piece

Minimum number bolts and nuts : 8 pieces.

# KLZT

## T-piece for KLZ



Radius	600 mm
Standard finish	Pre-galvanised
Optional finish HD	Hot-dip galvanised
Optional finish PE	Coating

W (mm)	200	300	400	500	600
A (mm)	1962	2062	2162	2262	2362

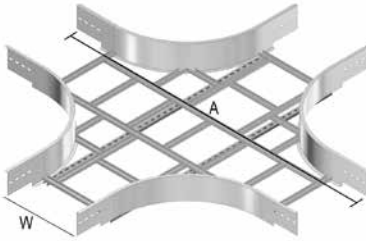
HD	Reference	↑ mm	↔ mm	↔ mm	↔ mm	kg/ piece	📦	Stock	Unit
HD	<b>KLZT200</b>	150	208		-	13.017	1		piece
HD	<b>KLZT300</b>	150	308		-	13.974	1		piece
HD	<b>KLZT400</b>	150	408		-	14.931	1		piece
HD	<b>KLZT500</b>	150	508		-	15.888	1		piece
HD	<b>KLZT600</b>	150	608		-	16.843	1		piece

Fix with:									
HD	<b>RBK12.20</b>	-	-	M12	20	0.052	100	X	piece
HD	<b>RM12</b>	-	-	M12	-	0.021	100		piece

Minimum number bolts and nuts : 12 pieces.

## KLZX

### Cross-over for KLZ



Radius	600 mm
Standard finish	Pre-galvanised
Optional finish HD	Hot-dip galvanised
Optional finish PE	Coating

W (mm)	200	300	400	500	600
A (mm)	1962	2062	2162	2262	2362

HD	Reference	↑ mm	↔ mm	↔ mm	↔ mm	kg/ piece	📦	Stock	Unit
HD	<b>KLZX200</b>	150	208		-	15.159	1		piece
HD	<b>KLZX300</b>	150	308		-	18.004	1		piece
HD	<b>KLZX400</b>	150	408		-	19.122	1		piece
HD	<b>KLZX500</b>	150	508		-	20.191	1		piece
HD	<b>KLZX600</b>	150	608		-	21.259	1		piece

Fix with:

HD	<b>RBK12.20</b>	-	-	M12	20	0.052	100	X	piece
HD	<b>RM12</b>	-	-	M12	-	0.021	100		piece

Minimum number bolts and nuts : 16 pieces.

## KLZVB

### External riser for KLZ



Radius	600 mm
Standard finish	Pre-galvanised
Optional finish HD	Hot-dip galvanised
Optional finish PE	Coating

HD	Reference	↑ mm	↔ mm	↔ mm	↔ mm	kg/ piece	📦	Stock	Unit
HD	<b>KLZVB200</b>	150	208		-	5.330	1		piece
HD	<b>KLZVB300</b>	150	308		-	5.990	1		piece
HD	<b>KLZVB400</b>	150	408		-	6.320	1		piece
HD	<b>KLZVB500</b>	150	508		-	6.650	1		piece
HD	<b>KLZVB600</b>	150	608		-	6.980	1		piece

Fix with:

HD	<b>RBK12.20</b>	-	-	M12	20	0.052	100	X	piece
HD	<b>RM12</b>	-	-	M12	-	0.021	100		piece

Minimum number bolts and nuts : 8 pieces.



# KLZSB

Internal riser for KLZ



Radius	600 mm
Standard finish	Pre-galvanised
Optional finish HD	Hot-dip galvanised
Optional finish PE	Coating

HD	Reference	↑ mm	↔ mm	→ ← mm	↔ mm	kg/ piece	📦	Stock	Unit
HD	<b>KLZSB200</b>	150	208		-	6.180	1		piece
HD	<b>KLZSB300</b>	150	308		-	6.510	1		piece
HD	<b>KLZSB400</b>	150	408		-	6.840	1		piece
HD	<b>KLZSB500</b>	150	508		-	7.170	1		piece
HD	<b>KLZSB600</b>	150	608		-	7.500	1		piece

Fix with:									
HD	<b>RBK12.20</b>	-	-	M12	20	0.052	100	X	piece
HD	<b>RM12</b>	-	-	M12	-	0.021	100		piece

Minimum number bolts and nuts : 8 pieces.

# KLZVSB

Flexible (rising / low) bend for KLZ



Standard finish	Pre-galvanised
Optional finish HD	Hot-dip galvanised
Optional finish PE	Coating

HD	Reference	↑ mm	↔ mm	→ ← mm	↔ mm	kg/ piece	📦	Stock	Unit
HD	<b>KLZVSB200</b>	150	218		1135	13.680	1		piece
HD	<b>KLZVSB300</b>	150	318		1135	14.000	1		piece
HD	<b>KLZVSB400</b>	150	418		1135	14.320	1		piece
HD	<b>KLZVSB500</b>	150	518		1135	14.640	1		piece
HD	<b>KLZVSB600</b>	150	618		1135	14.964	1		piece

Fix with:									
HD	<b>RBK12.20</b>	-	-	M12	20	0.052	100	X	piece
HD	<b>RM12</b>	-	-	M12	-	0.021	100		piece

Minimum number bolts and nuts : 8 pieces.

## KLZAH

### Horizontal branch hook KLZ



Standard finish

Pre-galvanised

Optional finish HD

Hot-dip galvanised

Optional finish PE

Coating

HD	Reference	↑ mm	↔ mm	→ ← mm	↔ mm	kg/ piece	📦	Stock	Unit
HD	<b>KLZAH</b>	120	169		150	0.830	2		piece
Fix with:									
HD	<b>RBK12.20</b>	-	-	M12	20	0.052	100	X	piece
HD	<b>RM12</b>	-	-	M12	-	0.021	100		piece

To order per full packaging.  
Minimum number bolts and nuts: 4 pieces.

## KLZAHV

### Vertikal branch hook for KLZ



Slides in the C-opening of the sidewalls .

Standard finish

Pre-galvanised

Optional finish HD

Hot-dip galvanised

Optional finish PE

Coating

HD	Reference	↑ mm	↔ mm	→ ← mm	↔ mm	kg/ piece	📦	Stock	Unit
HD	<b>KLZAHV</b>	120	27		290	0.830	2		piece
Fix with:									
HD	<b>RBK12.20</b>	-	-	M12	20	0.052	100	X	piece
HD	<b>RM12</b>	-	-	M12	-	0.021	100		piece

To order per full packaging.  
Minimum number bolts and nuts: 3 pieces.

## KLZDSH

### Horizontal hinged joiner for KLZ



Slides in the C-opening of the sidewalls  
Premounted

Standard finish

Pre-galvanised

Optional finish HD

Hot-dip galvanised

Optional finish PE

Coating

HD	Reference	↑ mm	↔ mm	→ ← mm	↔ mm	kg/ piece	📦	Stock	Unit
HD	<b>KLZDSH</b>	120	25		330	0.800	2		piece
Fix with:									
HD	<b>RBK12.20</b>	-	-	M12	20	0.052	100	X	piece
HD	<b>RM12</b>	-	-	M12	-	0.021	100		piece

To order per full packaging.  
Minimum number bolts and nuts: 4 pieces.

# KLZDSV

## Vertical hinged joiner for KLZ



Premounted with B12.20.

Standard finish	Pre-galvanised
Optional finish HD	Hot-dip galvanised
Optional finish PE	Coating

HD	Reference	↑ mm	↔ mm	→  ← mm	↔ mm	kg/ piece	📦	Stock	Unit
HD	<b>KLZDSV</b>	120	20		434	1.540	2		piece

Fix with:									
HD	<b>RBK12.20</b>	-	-	M12	20	0.052	100	X	piece
HD	<b>RM12</b>	-	-	M12	-	0.021	100		piece

To order per full packaging.  
Minimum number bolts and nuts: 4 pieces.

# KLZVST

## Floor Support for KLZ



Standard finish	Pre-galvanised
Optional finish HD	Hot-dip galvanised
Optional finish PE	Coating

HD	Reference	↑ mm	↔ mm	→  ← mm	↔ mm	kg/ piece	📦	Stock	Unit
HD	<b>KLZVST</b>	120	125		150	0.770	2		piece

Fix with:									
HD	<b>RBK12.20</b>	-	-	M12	20	0.052	100	X	piece
HD	<b>RM12</b>	-	-	M12	-	0.021	100		piece

To order per full packaging.  
Minimum number bolts and nuts : 2 pieces.

# KLZVS

## Reducing plate for KLZ



Max. reduction of 300mm

Standard finish	Pre-galvanised
Optional finish HD	Hot-dip galvanised
Optional finish PE	Coating

HD	Reference	↑ mm	↔ mm	→  ← mm	↔ mm	kg/ piece	📦	Stock	Unit
HD	<b>KLZVS</b>	120	20		500	1.520	1		piece

Fix with:									
HD	<b>RBK12.20</b>	-	-	M12	20	0.052	100	X	piece
HD	<b>RM12</b>	-	-	M12	-	0.021	100		piece

Minimum number bolts and nuts : 4 pieces.

## KLMZWAB

### Stand-off bracket



Used for vertical mounting of the cable ladder.

Standard finish	Electro zinc-plated
Optional finish HD	Hot-dip galvanised
Optional finish PE	Coating

HD	Reference	↑ mm	↔ mm	→ ← mm	↔ mm	kg/ piece	📦	Stock	Unit
HD	<b>KLMZWAB</b>	170	50		61	0.304	4		piece

Fix with:

HD	<b>RBK12.20</b>	-	-	M12	20	0.052	100	X	piece
HD	<b>RM12</b>	-	-	M12	-	0.021	100		piece

To order per full packaging.

Minimum number bolts and nuts: 1 piece.

## KLMZWBK

### Bracket clamp



For fixing cable ladder to a wall bracket.  
2 pieces per bracket.

Standard finish	Pre-galvanised
Optional finish HD	Hot-dip galvanised
Optional finish PE	Coating

HD	Reference	↑ mm	↔ mm	→ ← mm	↔ mm	kg/ piece	📦	Stock	Unit
HD	<b>KLMZWBK25</b>	20	25		-	0.051	20	X	piece
HD	<b>KLMZWBK40</b>	20	40		-	0.125	20	X	piece

The technical information for this product can be found at the end of this chapter.

To order per full packaging.

KLMZWBK25: Bolt B6.20 and nuts RM6 included.

KLMZWBK40: Bolt B8.20 and nuts PNP08 included

- 25 for cantilevers

- 40 for profiles 41

## DOPKLZ

### End cap for KLZ



Color	Yellow
Standard finish	Polyvinyl chloride

HD	Reference	↑ mm	↔ mm	→ ← mm	↔ mm	kg/ piece	📦	Stock	Unit
-	<b>DOPKLZ</b>	150			-	0.038	12		piece

To order per full packaging.

# KLZKP

## Joiner for KLZ



Slides in the C-opening of the sidewalls

Standard finish	Pre-galvanised
Optional finish HD	Hot-dip galvanised
Optional finish PE	Coating

HD	Reference	↑ mm	↔ mm	→ ← mm	↔ mm	kg/ piece	📦	Stock	Unit
HD	<b>KLZKP</b>	121	25		600	1.490	6		piece

Fix with:									
HD	<b>RBK12.20</b>	-	-	M12	20	0.052	100	X	piece
HD	<b>RM12</b>	-	-	M12	-	0.021	100		piece

To order per full packaging.  
Minimum number bolts and nuts : 4 pieces.

# BP

## Floor plate



Standard finish	Pre-galvanised
Optional finish HD	Hot-dip galvanised
Optional finish PE	Coating

HD	Reference	↑ mm	↔ mm	→ ← mm	↔ mm	kg/m	📦	Stock	Unit
HD	<b>BP200</b>	25	141		3000	1.560	3		m
HD	<b>BP300</b>	25	241		3000	2.400	3		m
HD	<b>BP400</b>	25	341		3000	3.230	3		m
HD	<b>BP500</b>	25	441		3000	4.030	3		m
HD	<b>BP600</b>	25	541		3000	4.860	3		m

Fix with:									
HD	<b>RB6.20</b>	-	-	M6	20	0.006	100		piece
-	<b>PNS06</b>	-	-	-	-	0.031	100	X	piece

# SLOS

## Bolt-in partition



Standard finish	Pre-galvanised
Optional finish HD	Hot-dip galvanised
Optional finish PE	Coating

HD	Reference	↑ mm	↔ mm	→ ← mm	↔ mm	kg/m	📦	Stock	Unit
HD	<b>SLOS110</b>	110			3000	0.820	30	X	m

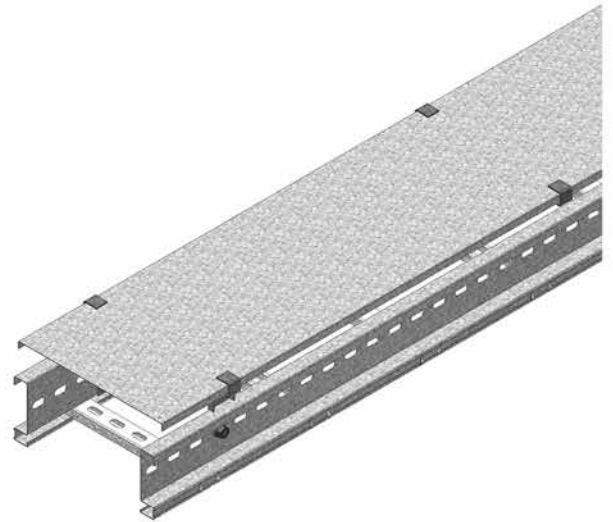
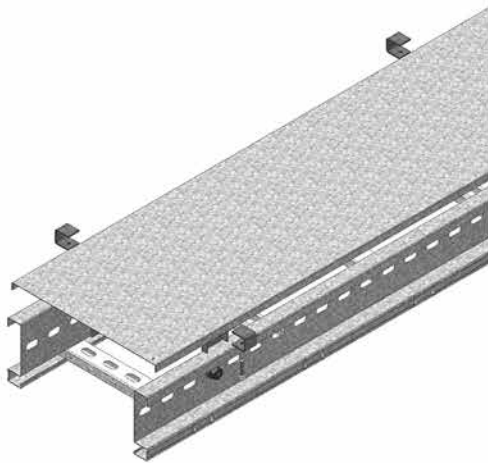
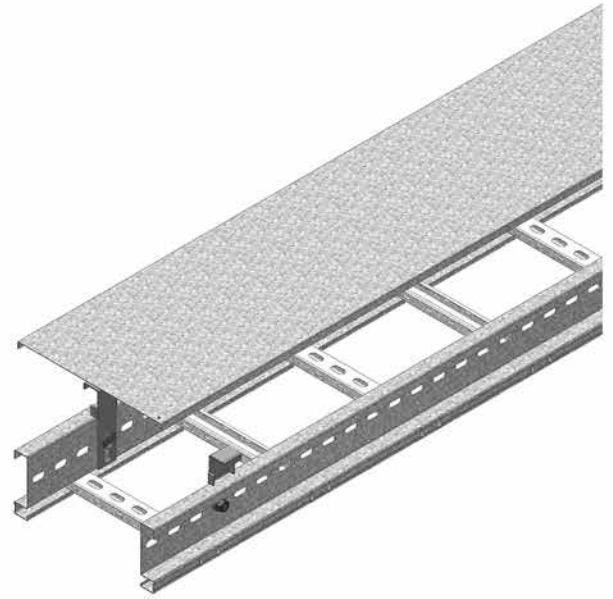
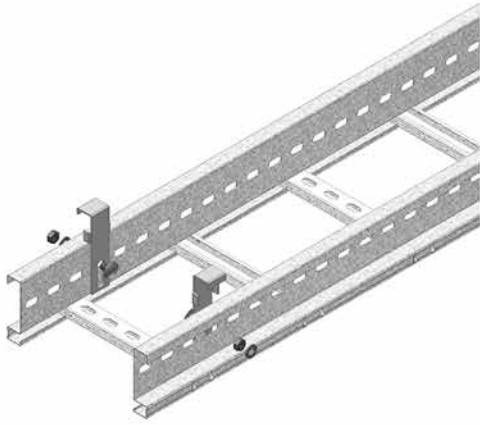
Fix with:									
HD	<b>RB6.20</b>	-	-	M6	20	0.006	100		piece
-	<b>PNP06</b>	-	-	-	-	0.024	100	X	piece

Fixing set: 1 per meter.



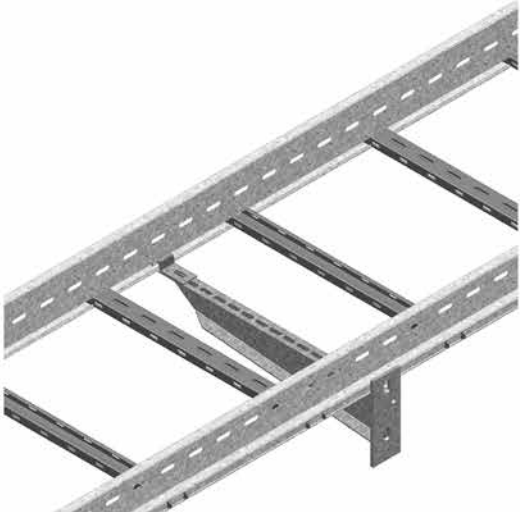
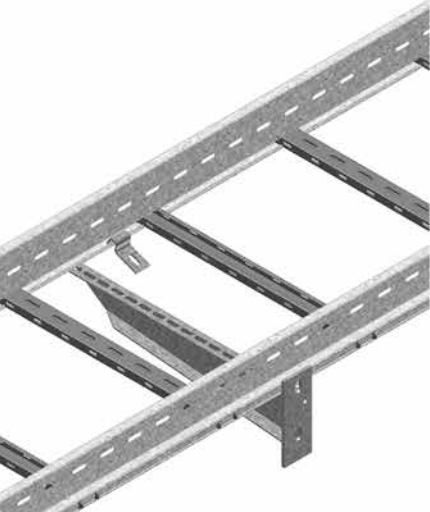
# KLMZWABD

Technical information



# KLMZWBK

## Technical information



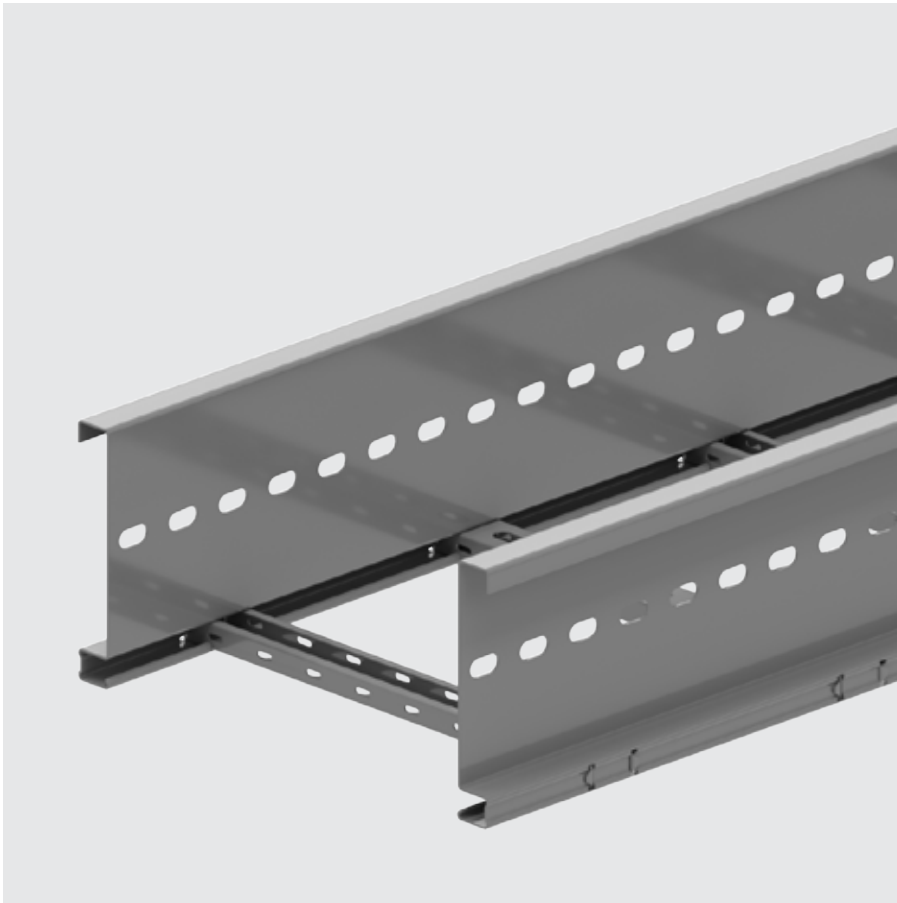




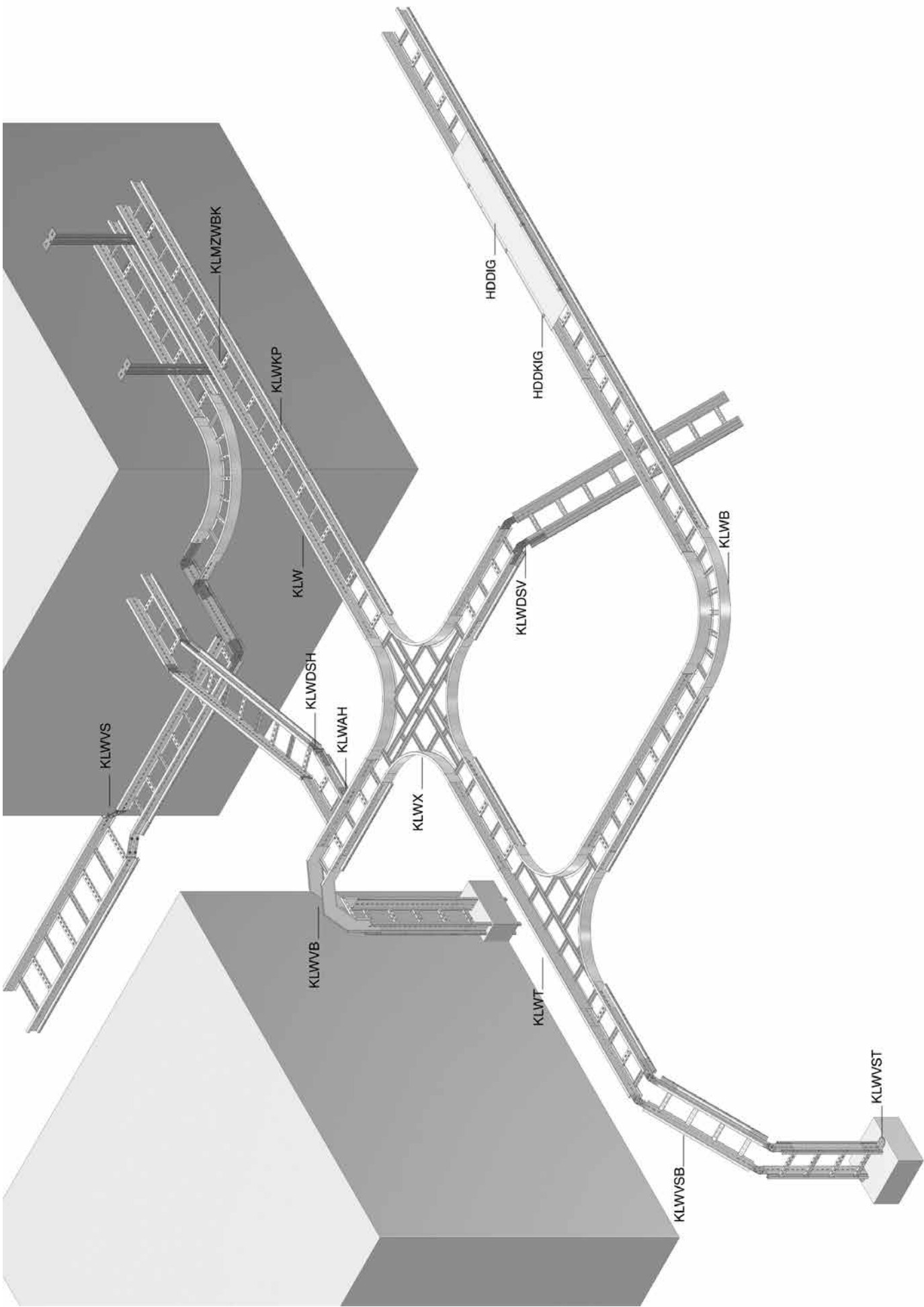


4

### Cable ladders

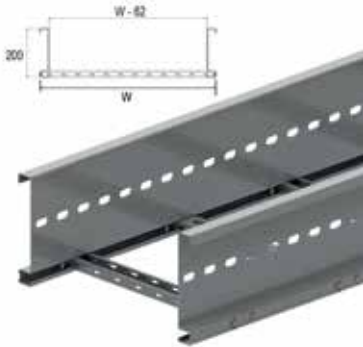


KLW



# KLW

## Cable ladder height 200



Cable ladder for large support distances up to 9 metres  
Perforated C rungs 41x21

Usable inner height	177 mm
Rung distance	250 mm (to order : 100 mm - 300 mm, increments of 50 mm)
To order	length 3000 mm or 9000 mm
To order	width 700 - 1200 mm (increments of 100 mm)
Standard finish	Pre-galvanised
Optional finish HD	Hot-dip galvanised
Optional finish PE	Coating

HD	Reference	↑ mm	↔ mm	→  ← mm	↔ mm	kg/m	⊞	Stock	Unit
HD	<b>KLW200</b>	200	218	2.00	6000	10.020	36		m
HD	<b>KLW300</b>	200	318	2.00	6000	10.340	36		m
HD	<b>KLW400</b>	200	418	2.00	6000	10.660	36		m
HD	<b>KLW500</b>	200	518	2.00	6000	10.980	36		m
HD	<b>KLW600</b>	200	618	2.00	6000	11.310	36		m
HD	<b>KLW800</b>	200	818	2.00	6000	12.000	36		m
HD	<b>KLW1000</b>	200	1018	2.00	6000	12.640	36		m

Fix with:

HD	<b>KLWKP</b>	170	25	-	900	4.332	6		piece
HD	<b>RBK12.20</b>	-	-	M12	20	0.052	100	X	piece
HD	<b>RM12</b>	-	-	M12	-	0.021	100		piece

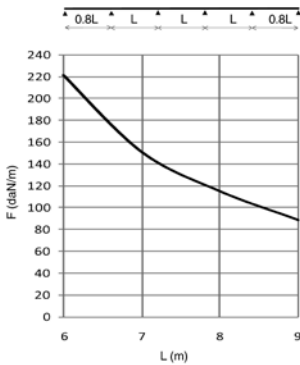
### LOAD DIAGRAM

Graph valid for KLW. This diagram illustrates the permissible uniformly distributed horizontal loads applied to multiple supports. They comply with IEC 61537

F = max. admissible load (daN/m)

L = support distance (m)

Max. deflection (m) = L/200



### CHARACTERISTICS

- strong
- useable inner height 177 mm, ideal for large diameter cables
- no further coupling holes are required if the cable ladder is cut
- no joiners are required to attach accessories such as bends, tees etc.
- rungs are perforated to enable efficient attachment of cables
- partition (SLOS110) can be fixed to the cable ladder with a sliding nut (PNP06) and pan head bolt (RB6.20).

### TECHNICAL INFORMATION

- Side walls are constructed from S profile with a return flange and are continuously perforated
- C-profile rungs are fixed at 250 mm intervals.
- rungs are mechanically attached to the side wall of the cable ladder.
- rungs are alternately placed with openings upwards and downwards.

## HDDIG

### Industrial cover



Standard finish

Hot-dip galvanised

Optional finish PE

Duplex system

Reference	↑ mm	↔ mm	→ ← mm	↔ mm	kg/m	📦	Stock	Unit
<b>HDDIG200</b>	15	223	1.00	2000	1.850	2		m
<b>HDDIG300</b>	15	323	1.00	2000	2.650	2		m
<b>HDDIG400</b>	15	423	1.25	2000	4.100	2		m
<b>HDDIG500</b>	15	523	1.25	2000	5.050	2		m
<b>HDDIG600</b>	15	623	1.25	2000	5.950	2		m

Fix with:

<b>HDDKIG</b>	-	-	-	-	0.030	20	X	piece
---------------	---	---	---	---	-------	----	---	-------

Covers with width &gt; 400 mm are delivered with diagonal reinforcements.

## HDDKIG

### Cover clamp



Number: 2 pieces per metre.

Standard finish

Hot-dip galvanised

Optional finish PE

Duplex system

Reference	↑ mm	↔ mm	→ ← mm	↔ mm	kg/ piece	📦	Stock	Unit
<b>HDDKIG</b>	-			-	0.030	20	X	piece

To order per full packaging.

Included: Bolt HDB6.30.

## KLMZWABD

### Distance bracket for cover



Number: 2 pieces per metre.

Standard finish

Pre-galvanised

Optional finish HD

Hot-dip galvanised

Optional finish PE

Coating

HD	Reference	↑ mm	↔ mm	→ ← mm	↔ mm	kg/ piece	📦	Stock	Unit
HD	<b>KLMZWABD</b>	155	40		34	0.187	4		piece

Fix with:

HD	<b>RBK12.20</b>	-	-	M12	20	0.052	100	X	piece
HD	<b>RM12</b>	-	-	M12	-	0.021	100		piece

The technical information for this product can be found at the end of this chapter.

To order per full packaging.

# KLWB

## Horizontal bend for KLW



Radius	600 mm
Standard finish	Pre-galvanised
Optional finish HD	Hot-dip galvanised
Optional finish PE	Coating

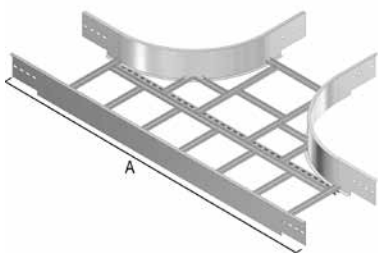
HD	Reference	↑ mm	↔ mm	→  ← mm	↔ mm	kg/ piece	📦	Stock	Unit
HD	<b>KLWB200</b>	200	208		-	9.675	1		piece
HD	<b>KLWB300</b>	200	308		-	10.687	1		piece
HD	<b>KLWB400</b>	200	408		-	11.698	1		piece
HD	<b>KLWB500</b>	200	508		-	12.709	1		piece
HD	<b>KLWB600</b>	200	608		-	13.721	1		piece

Fix with:									
HD	<b>RBK12.20</b>	-	-	M12	20	0.052	100	X	piece
HD	<b>RM12</b>	-	-	M12	-	0.021	100		piece

Minimum number bolts and nuts : 8 pieces.

# KLWT

## T-piece for KLW



Radius	600 mm
Standard finish	Pre-galvanised
Optional finish HD	Hot-dip galvanised
Optional finish PE	Coating

W (mm)	200	300	400	500	600
A (mm)	1962	2062	2162	2262	2362

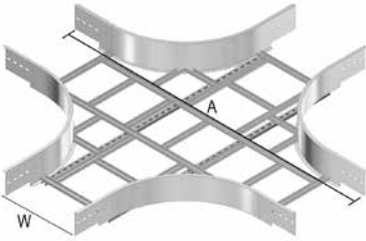
HD	Reference	↑ mm	↔ mm	→  ← mm	↔ mm	kg/ piece	📦	Stock	Unit
HD	<b>KLWT200</b>	200	208		-	15.996	1		piece
HD	<b>KLWT300</b>	200	308		-	17.012	1		piece
HD	<b>KLWT400</b>	200	408		-	18.029	1		piece
HD	<b>KLWT500</b>	200	508		-	19.045	1		piece
HD	<b>KLWT600</b>	200	608		-	20.059	1		piece

Fix with:									
HD	<b>RBK12.20</b>	-	-	M12	20	0.052	100	X	piece
HD	<b>RM12</b>	-	-	M12	-	0.021	100		piece

Minimum number bolts and nuts : 12 pieces.

## KLWX

### Cross-over for KLW



Radius	600 mm
Standard finish	Pre-galvanised
Optional finish HD	Hot-dip galvanised
Optional finish PE	Coating

W (mm)	200	300	400	500	600
A (mm)	1962	2062	2162	2262	2362

HD	Reference	↑ mm	↔ mm	→ ← mm	↔ mm	kg/ piece	📦	Stock	Unit
HD	<b>KLWX200</b>	200	208		-	18.791	1		piece
HD	<b>KLWX300</b>	200	308		-	21.636	1		piece
HD	<b>KLWX400</b>	200	408		-	22.754	1		piece
HD	<b>KLWX500</b>	200	508		-	23.823	1		piece
HD	<b>KLWX600</b>	200	608		-	24.891	1		piece

Fix with:

HD	<b>RBK12.20</b>	-	-	M12	20	0.052	100	X	piece
HD	<b>RM12</b>	-	-	M12	-	0.021	100		piece

Minimum number bolts and nuts : 16 pieces.

## KLWVB

### External riser for KLW



Radius	600 mm
Standard finish	Pre-galvanised
Optional finish HD	Hot-dip galvanised
Optional finish PE	Coating

HD	Reference	↑ mm	↔ mm	→ ← mm	↔ mm	kg/ piece	📦	Stock	Unit
HD	<b>KLWVB200</b>	200	208		-	7.480	1		piece
HD	<b>KLWVB300</b>	200	308		-	7.810	1		piece
HD	<b>KLWVB400</b>	200	408		-	8.140	1		piece
HD	<b>KLWVB500</b>	200	508		-	8.470	1		piece
HD	<b>KLWVB600</b>	200	608		-	8.800	1		piece

Fix with:

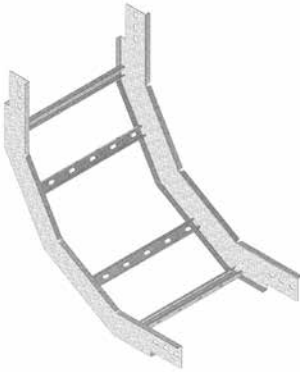
HD	<b>RBK12.20</b>	-	-	M12	20	0.052	100	X	piece
HD	<b>RM12</b>	-	-	M12	-	0.021	100		piece

Minimum number bolts and nuts : 8 pieces.



# KLWSB

## Internal riser for KLW



Radius	600 mm
Standard finish	Pre-galvanised
Optional finish HD	Hot-dip galvanised
Optional finish PE	Coating

HD	Reference	↑ mm	↔ mm	→ ← mm	↔ mm	kg/ piece	📦	Stock	Unit
HD	<b>KLWSB200</b>	200	208		-	8.000	1		piece
HD	<b>KLWSB300</b>	200	308		-	8.330	1		piece
HD	<b>KLWSB400</b>	200	408		-	8.660	1		piece
HD	<b>KLWSB500</b>	200	508		-	8.990	1		piece
HD	<b>KLWSB600</b>	200	608		-	9.320	1		piece

Fix with:									
HD	<b>RBK12.20</b>	-	-	M12	20	0.052	100	X	piece
HD	<b>RM12</b>	-	-	M12	-	0.021	100		piece

Minimum number bolts and nuts : 8 pieces.

# KLWVSB

## Flexible (rising / low) bend for KLW



Standard finish	Pre-galvanised
Optional finish HD	Hot-dip galvanised
Optional finish PE	Coating

HD	Reference	↑ mm	↔ mm	→ ← mm	↔ mm	kg/ piece	📦	Stock	Unit
HD	<b>KLWVSB200</b>	200	218		1175	19.060	1		piece
HD	<b>KLWVSB300</b>	200	318		1175	19.380	1		piece
HD	<b>KLWVSB400</b>	200	418		1175	19.700	1		piece
HD	<b>KLWVSB500</b>	200	518		1175	20.020	1		piece
HD	<b>KLWVSB600</b>	200	618		1175	20.350	1		piece

Fix with:									
HD	<b>RBK12.20</b>	-	-	M12	20	0.052	100	X	piece
HD	<b>RM12</b>	-	-	M12	-	0.021	100		piece

Minimum number bolts and nuts : 8 pieces.

# KLWAH

## Horizontal branch hook for KLW



Slides in the C-opening of the sidewalls .

Standard finish	Pre-galvanised
Optional finish HD	Hot-dip galvanised
Optional finish PE	Coating

HD	Reference	↑ mm	↔ mm	→ ← mm	↔ mm	kg/ piece	📦	Stock	Unit
HD	<b>KLWAH</b>	169	169		200	1.370	2		piece

Fix with:

HD	<b>RBK12.20</b>	-	-	M12	20	0.052	100	X	piece
HD	<b>RM12</b>	-	-	M12	-	0.021	100		piece

To order per full packaging.  
Minimum number bolts and nuts : 4 pieces.

# KLWAHV

## Vertikal branch hook for KLW



Standard finish	Pre-galvanised
Optional finish HD	Hot-dip galvanised
Optional finish PE	Coating

HD	Reference	↑ mm	↔ mm	→ ← mm	↔ mm	kg/ piece	📦	Stock	Unit
HD	<b>KLWAHV</b>	169	27		340	1.370	2		piece

Fix with:

HD	<b>RBK12.20</b>	-	-	M12	20	0.052	100	X	piece
HD	<b>RM12</b>	-	-	M12	-	0.021	100		piece

To order per full packaging.  
Minimum number bolts and nuts: 3 pieces.

# KLWDSH

## Horizontal hinged joiner for KLW



Premounted with B10.20

Standard finish	Pre-galvanised
Optional finish HD	Hot-dip galvanised
Optional finish PE	Coating

HD	Reference	↑ mm	↔ mm	→ ← mm	↔ mm	kg/ piece	📦	Stock	Unit
HD	<b>KLWDSH</b>	169	25		330	1.070	2		piece

Fix with:

HD	<b>RBK12.20</b>	-	-	M12	20	0.052	100	X	piece
HD	<b>RM12</b>	-	-	M12	-	0.021	100		piece

To order per full packaging.  
Minimum number bolts and nuts: 4 pieces.

# KLWDSV

## Vertical hinged joiner for KLW



Premounted with B12.20.

Standard finish	Pre-galvanised
Optional finish HD	Hot-dip galvanised
Optional finish PE	Coating

HD	Reference	↑ mm	↔ mm	→  ← mm	↔ mm	kg/ piece	📦	Stock	Unit
HD	<b>KLWDSV</b>	169	20		434	2.260	2		piece

Fix with:									
HD	<b>RBK12.20</b>	-	-	M12	20	0.052	100	X	piece
HD	<b>RM12</b>	-	-	M12	-	0.021	100		piece

To order per full packaging.  
Minimum number bolts and nuts: 4 pieces.

# KLWVST

## Floor Support for KLW



Standard finish	Pre-galvanised
Optional finish HD	Hot-dip galvanised
Optional finish PE	Coating

HD	Reference	↑ mm	↔ mm	→  ← mm	↔ mm	kg/ piece	📦	Stock	Unit
HD	<b>KLWVST</b>	169	150		150	1.130	2		piece

Fix with:									
HD	<b>RBK12.20</b>	-	-	M12	20	0.052	100	X	piece
HD	<b>RM12</b>	-	-	M12	-	0.021	100		piece

To order per full packaging.  
Minimum number bolts and nuts: 2 pieces.

# KLWVS

## Reducing plate for KLW



Max. reduction of 300mm

Standard finish	Pre-galvanised
Optional finish HD	Hot-dip galvanised
Optional finish PE	Coating

HD	Reference	↑ mm	↔ mm	→  ← mm	↔ mm	kg/ piece	📦	Stock	Unit
HD	<b>KLWVS</b>	170	20		500	2.060	1		piece

Fix with:									
HD	<b>RBK12.20</b>	-	-	M12	20	0.052	100	X	piece
HD	<b>RM12</b>	-	-	M12	-	0.021	100		piece

Minimum number bolts and nuts: 4 pieces.

## KLMZWAB

### Stand-off bracket



Used for vertical mounting of the cable ladder.

Standard finish	Electro zinc-plated
Optional finish HD	Hot-dip galvanised
Optional finish PE	Coating

HD	Reference	↑ mm	↔ mm	→ ← mm	↔ mm	kg/ piece	📦	Stock	Unit
HD	<b>KLMZWAB</b>	170	50		61	0.304	4		piece

Fix with:

HD	<b>RBK12.20</b>	-	-	M12	20	0.052	100	X	piece
HD	<b>RM12</b>	-	-	M12	-	0.021	100		piece

To order per full packaging.

Minimum number bolts and nuts: 1 piece.

## KLMZWBK

### Bracket clamp



For fixing cable ladder to a wall bracket.  
2 pieces per bracket.

Standard finish	Pre-galvanised
Optional finish HD	Hot-dip galvanised
Optional finish PE	Coating

HD	Reference	↑ mm	↔ mm	→ ← mm	↔ mm	kg/ piece	📦	Stock	Unit
HD	<b>KLMZWBK25</b>	20	25		-	0.051	20	X	piece
HD	<b>KLMZWBK40</b>	20	40		-	0.125	20	X	piece

The technical information for this product can be found at the end of this chapter.

To order per full packaging.

KLMZWBK25: Bolt B6.20 and nuts RM6 included.

KLMZWBK40: Bolt B8.20 and nuts PNP08 included.

- 25 for cantilevers

- 40 for profiles 41

## DOPKLW

### End cap for KLW



Color	Yellow
Standard finish	Polyvinyl chloride

HD	Reference	↑ mm	↔ mm	→ ← mm	↔ mm	kg/ piece	📦	Stock	Unit
-	<b>DOPKLW</b>	200			-	0.046	12		piece

To order per full packaging.

# KLWKP

## Joiner for KLV



Standard finish	Pre-galvanised
Optional finish HD	Hot-dip galvanised
Optional finish PE	Coating

HD	Reference	↓ mm	↔ mm	↔ mm	↔ mm	kg/ piece	📦	Stock	Unit
HD	<b>KLWKP</b>	170	25		900	4.332	6		piece

Fix with:									
HD	<b>RBK12.20</b>	-	-	M12	20	0.052	100	X	piece
HD	<b>RM12</b>	-	-	M12	-	0.021	100		piece

KLWKP to order per full packaging.  
Minimum number bolts and nuts : 4 pieces.

# BP

## Floor plate



Standard finish	Pre-galvanised
Optional finish HD	Hot-dip galvanised
Optional finish PE	Coating

HD	Reference	↓ mm	↔ mm	↔ mm	↔ mm	kg/m	📦	Stock	Unit
HD	<b>BP200</b>	25	141		3000	1.560	3		m
HD	<b>BP300</b>	25	241		3000	2.400	3		m
HD	<b>BP400</b>	25	341		3000	3.230	3		m
HD	<b>BP500</b>	25	441		3000	4.030	3		m
HD	<b>BP600</b>	25	541		3000	4.860	3		m

Fix with:									
HD	<b>RB6.20</b>	-	-	M6	20	0.006	100		piece
-	<b>PNS06</b>	-	-	-	-	0.031	100	X	piece

# SLOS

## Bolt-in partition



Standard finish	Pre-galvanised
Optional finish HD	Hot-dip galvanised
Optional finish PE	Coating

HD	Reference	↓ mm	↔ mm	↔ mm	↔ mm	kg/m	📦	Stock	Unit
HD	<b>SLOS110</b>	110			3000	0.820	30	X	m

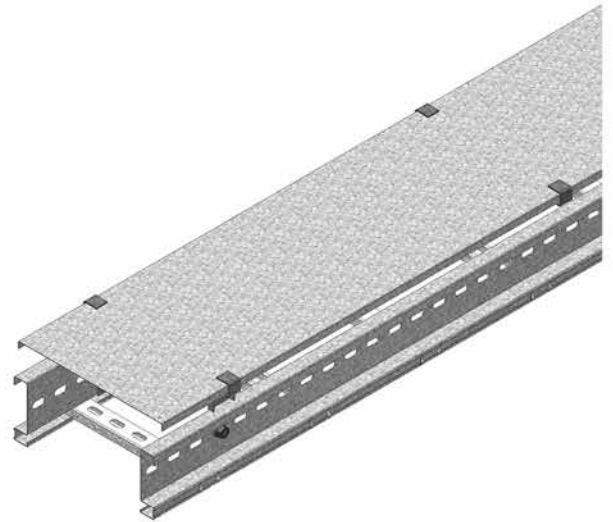
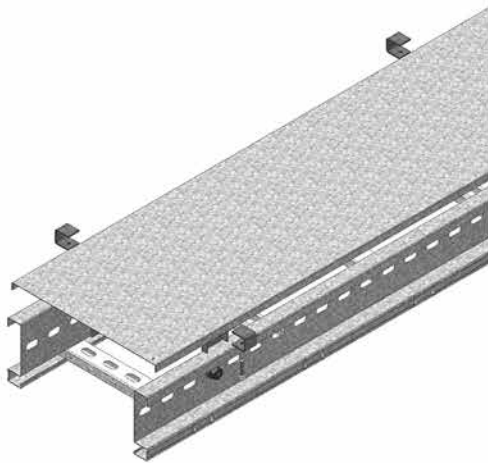
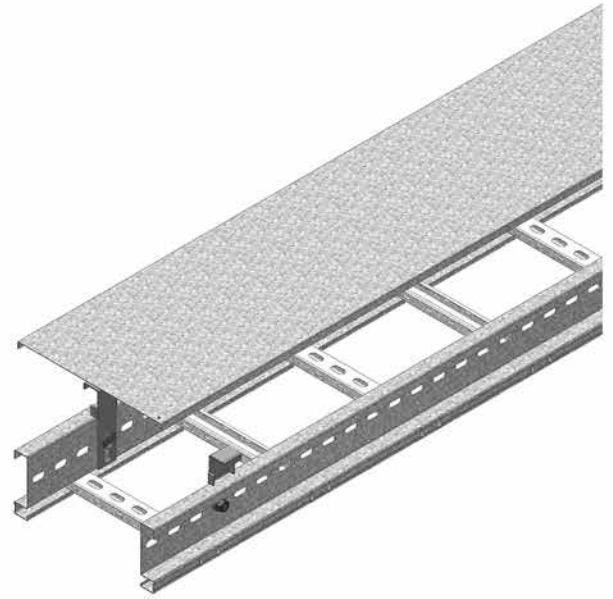
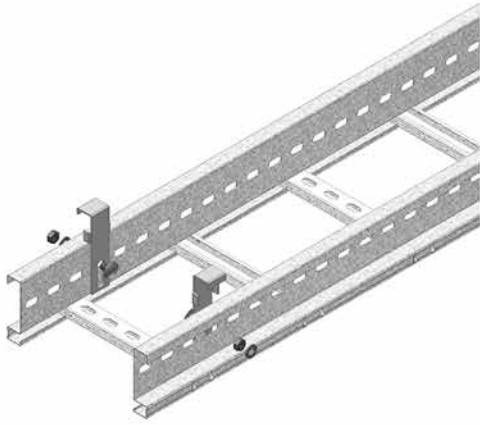
Fix with:									
HD	<b>RB6.20</b>	-	-	M6	20	0.006	100		piece
-	<b>PNP06</b>	-	-	-	-	0.024	100	X	piece

Fixing set: 1 per meter.



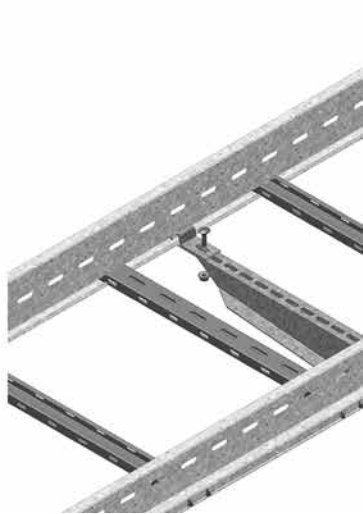
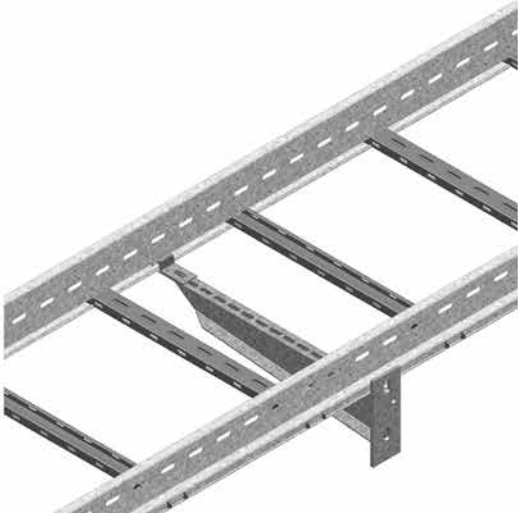
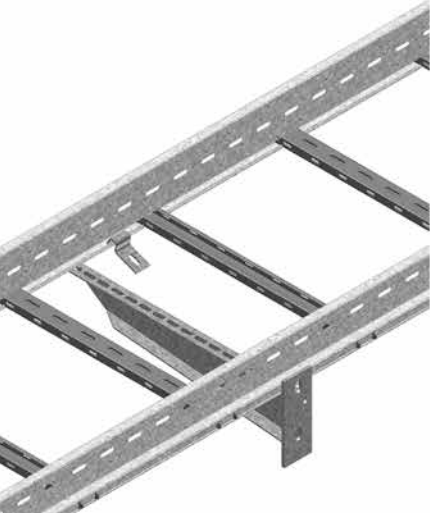
# KLMZWABD

Technical information



# KLMZWBK

## Technical information









4 Cable ladders



Cable clamps

# HDH1

## Cable clamp



Applicable for ladders with KL / HDKS / KLL.

Max. load 1700 N

Standard finish Hot-dip galvanised

Reference	↑ mm	↔ mm	→ ← mm	↔ mm	kg/ piece	📦	Stock	Unit
HDY1198	-	12		-	0.030	50	X	piece
HDY1199	-	16		-	0.030	50	X	piece
HDY1200	-	20		-	0.040	50	X	piece
HDY1201	-	24		-	0.040	50	X	piece
HDY1202	-	28		-	0.040	50	X	piece
HDY1203	-	32		-	0.060	50	X	piece
HDY1204	-	36		-	0.070	50	X	piece
HDY1205	-	40		-	0.080	50	X	piece
HDY1206	-	44		-	0.090	50	X	piece
HDY1207	-	48		-	0.100	50	X	piece
HDY1208	-	52		-	0.100	50	X	piece
HDY1209	-	56		-	0.110	50	X	piece
HDY1210	-	60		-	0.140	50	X	piece
HDY1211	-	64		-	0.160	50	X	piece
HDY1212	-	70		-	0.160	50	X	piece

Applicable in case of C-rungs 15x30, for fixing 1 cable.

Not suitable for SKL60.

To order per 50 pieces.

# HDRU1

## Cable clamp



Applicable for ladders with HDKLIE, SKL, HDKSR, KLM, KLZ, KLW.

Max. load 1700 N

Standard finish Hot-dip galvanised

Reference	↑ mm	↔ mm	→ ← mm	↔ mm	kg/ piece	📦	Stock	Unit
HDY2186	-	14		-	0.040	50	X	piece
HDY2187	-	20		-	0.050	50	X	piece
HDY2188	-	26		-	0.060	50	X	piece
HDY2189	-	32		-	0.090	50	X	piece
HDY2190	-	38		-	0.100	50	X	piece
HDY2191	-	44		-	0.110	50	X	piece
HDY2192	-	52		-	0.160	50	X	piece
HDY2193	-	60		-	0.160	50	X	piece
HDY2194	-	70		-	0.180	50	X	piece

Applicable in case of round rungs or C-rungs 41x21, for fixing 1 cable.

To order per 50 pieces.

# HDH2

## Cable clamp



Applicable for ladders with KL / HDKS / KLL.

Max. load	1700 N
Standard finish	Hot-dip galvanised

Reference	↓ mm	↔ mm	↔ mm	↔ mm	kg/ piece	📦	Stock	Unit
HDY1213	-	12		-	0.035	50	X	piece
HDY1214	-	16		-	0.040	50	X	piece
HDY1215	-	20		-	0.048	50	X	piece
HDY1216	-	24		-	0.053	50	X	piece
HDY1217	-	28		-	0.060	50	X	piece
HDY1218	-	32		-	0.089	50	X	piece
HDY1219	-	36		-	0.096	50	X	piece
HDY1220	-	40		-	0.108	50	X	piece
HDY1221	-	44		-	0.133	50	X	piece
HDY1223	-	52		-	0.152	50	X	piece
HDY1224	-	56		-	0.162	50	X	piece

Applicable in case of C-rungs 15x30, for fixing 2 cables.  
 Not suitable for SKL60.  
 To order per 50 pieces.

# HDRU2

## Cable clamp



Applicable for ladders with HDKLIE, SKL, HDKSR, KLM, KLZ, KLW.

Max. load	1700 N
Standard finish	Hot-dip galvanised

Reference	↓ mm	↔ mm	↔ mm	↔ mm	kg/ piece	📦	Stock	Unit
HDY2197	-	26		-	0.080	50	X	piece

Applicable in case of round rungs or C-rungs 41x21, for fixing 2 cables.  
 To order per 50 pieces.